

**GS1 standards in the logistic:  
Logistic information flow with EANCOM® 2002  
Version 2.3**

Forwarding and consolidation summary  
(IFCSUM)

EANCOM® 2002 Syntax 3

Introduction.....	2
Business Terms .....	4
Branching Diagram .....	8
Message structure .....	14
Segment Layout .....	16
Used Codes.....	61
Example.....	140

## Introduction

---

### Introduction

The aim of the brochure on hand is to offer documentation describing the exchange of purchase order data between business partners.

The basis of this elaboration is the international standard EANCOM® 2002. The message type IFCSUM 003 is used to transmit relevant data. GEFEG.FX (Gefeg mbH, Berlin) was used as the documentation tool.

Please be aware to know that this booklet does not replace the complete specifications in the original chapters or other relevant instructions within the EANCOM® 2002 documentation. Instead, it deals with the description of segments, data elements and codes to be used for a specific task.

The current documentation has been produced by the GS1 Germany GmbH in Cologne. GS1 Germany assumes no liability for any damages incurring from the use of this documentation. This brochure or extracts thereof may only be published or forwarded to third parties with the express written consent of GS1 Germany, which holds copyright on this work.

#### Important note:

To fulfill the requirements of directive 2003/58/EG, article 4, C058 has been opened in NAD segments identifying a message sender. If the place in the 5 DE 3124 is not sufficient, the following RFF segments can be used, qualified with DE 1153 = GN. DE 1154 has got a capacity of 70 digits. Only in those cases, when no RFF segment follows NAD, a RFF+GN can be used in the heading section of the message. Within the EDI recommendations of GS1 Germany this is only applicable for the messages REMADV and SLSFCT.

This brochure offers different ways to start:

"Introduction" contains a short description of the respective message.

"Business Terms", is a table which links directly to the sequence numbers of the segments.

"Diagram", is a hierarchical graphic depiction of all used segments in the same sequence as they are defined in the EANCOM® message. However, every segment is shown only once, and it is therefore possible that the sequence numbering is interrupted.

"Structure", is a list of all used segments in the same sequence as they are defined in the EANCOM® message. In general, for each piece of information one single segment is provided. Exceptions may arise when the occurrence of a segment is limited and can contain alternative information (e.g., segment BGM).

"Segmentlayout", an illustration that has been chosen to match the business terms (data from the inhouse application) with the elements from the EANCOM® syntax.

"Codes" contains a list of the codes used in the message.

"Examples", provides at least one message example with comments. Please note that, for technical reasons, the examples can contain component data element separators, which would otherwise be represented as data element separators in the original messages.

"Print" opens the PDF documentation for the corresponding message.

The following conventions apply to this brochure:

## **Introduction**

---

Message structure

Heading section

Specification of buyer and supplier, message date and number.

Detail section

Specification of SSCC to identify shipments and quantity.

Summary section

Specification of totals of the message.

**Business Terms**

Business Term	EANCOM-Segment		Data Element	
	Seg.-No.	Segment SG	DEG	DE
Acknowledgement request	2	UNB		0031
Additional delivery information 1	6	FTX	C108	4440
Additional delivery information 2	6	FTX	C108	4440
Additional delivery information 3	6	FTX	C108	4440
Additional delivery information 4	6	FTX	C108	4440
Additional delivery information 5	6	FTX	C108	4440
Additional specification of classification code	27	DGS SG25#1\SG50#1\SG65#1	C205	8078
Address for reverse routing	2	UNB	S002	0008
Application reference	2	UNB		0026
Arrival date	19	DTM SG25#1\SG38#1	C507	2380
Character set	2	UNB	S001	0001
Communication number	13	COM SG9#1\SG16#2\SG17#1	C076	3148
Communication number	23	COM SG25#1\SG43#1\SG44#1	C076	3148
Component data element separator	1	UNA		UNA1
Country of the carrier, coded	11	NAD SG9#1\SG16#2		3207
Country of the receiver, coded	20	NAD SG25#1\SG43#1		3207
Creation date	5	DTM	C507	2380
Dangerous goods code, version number	27	DGS SG25#1\SG50#1\SG65#1	C205	8092
Dangerous goods type (code)	31	FTX SG25#1\SG50#1\SG65#1	C107	4441
Dangerous goods type (free text)	31	FTX SG25#1\SG50#1\SG65#1	C108	4440
Dangerous goods weight	36	MEA SG25#1\SG50#1\SG65#1\SG67#1	C174	6314
Data element separator	1	UNA		UNA2
Decimal notation	1	UNA		UNA3
Delivery note	17	RFF SG25#1\SG32#1	C506	1154
Department	12	CTA SG9#1\SG16#2\SG17#1	C056	3413
Department	22	CTA SG25#1\SG43#1\SG44#1	C056	3413
EANCOM	2	UNB		0032
End of the transmission file	40	UNZ		0036
File creation date	2	UNB	S004	0017
File creation time	2	UNB	S004	0019
Forwarding and consolidation summary number	4	BGM	C106	1004
Hazard Causing Material (code)	29	FTX SG25#1\SG50#1\SG65#1	C107	4441

**Business Terms**

<b>Business Term</b>	<b>EANCOM-Segment</b>		<b>Data Element</b>	
	Seg.-No.	Segment SG	DEG	DE
Hazard Causing Material (free text)	29	FTX SG25#1\SG50#1\SG65#1	C108	4440
Hazardous cargo transport authorisation	27	DGS SG25#1\SG50#1\SG65#1		8211
Hazardous to the environment (Yes/No)	30	FTX SG25#1\SG50#1\SG65#1	C107	4441
Identification of the carrier	11	NAD SG9#1\SG16#2	C082	3039
Identification of the carrier	18	TDT SG25#1\SG38#1	C040	3127
Identification of the Freight Forwarder	10	NAD SG9#1\SG16#1	C082	3039
Identification of the name of sub-entities (state, province) defined by appropriate governmental agencies	11	NAD SG9#1\SG16#2	C819	3229
Identification of the name of sub-entities (state, province) defined by appropriate governmental agencies	20	NAD SG25#1\SG43#1	C819	3229
Identification of the receiver of the transmission file	2	UNB	S003	0010
Identification of the sender of the transmission file	2	UNB	S002	0004
Interchange control reference, beginnig	2	UNB		0020
Interchange control reference, end	40	UNZ		0020
Loading aids	37	EQD SG25#1\SG70#1		8053
Loading equipment	14	EQD SG21#1	C237	8260
Loading vessel ID	37	EQD SG25#1\SG70#1	C237	8260
Message reference number	3	UNH		0062
Name 2 of the receiver	20	NAD SG25#1\SG43#1	C080	3036
Name 3 of the receiver	20	NAD SG25#1\SG43#1	C080	3036
Name of the carrier 1	11	NAD SG9#1\SG16#2	C080	3036
Name of the carrier 2	11	NAD SG9#1\SG16#2	C080	3036
Name of the contact person	12	CTA SG9#1\SG16#2\SG17#1	C056	3412
Name of the contact person	22	CTA SG25#1\SG43#1\SG44#1	C056	3412
Name of the receiver	20	NAD SG25#1\SG43#1	C080	3036
Number of dangerous goods document primary hazard	27	DGS SG25#1\SG50#1\SG65#1	C236	8246
Number of dangerous goods document secondary hazard	27	DGS SG25#1\SG50#1\SG65#1	C236	8246

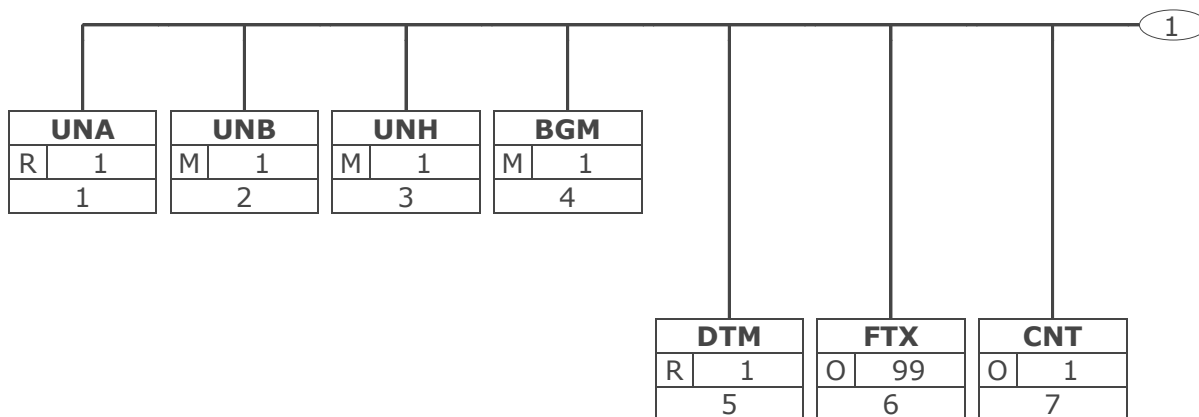
**Business Terms**

<b>Business Term</b>	<b>EANCOM-Segment</b>		<b>Data Element</b>	
	Seg.-No.	Segment SG	DEG	DE
Number of dangerous goods document secondary hazard	27	DGS SG25#1\SG50#1\SG65#1	C236	8246
Number of loading aids	38	EQN SG25#1\SG70#1	C523	6350
Number of messages or message groups	40	UNZ		0036
Number of packages	24	GID SG25#1\SG50#1	C213	7224
Number of packages	32	FTX SG25#1\SG50#1\SG65#1	C108	4440
Other service information	35	FTX SG25#1\SG50#1\SG65#1	C108	4440
Package identification type	25	PCI SG25#1\SG50#1\SG55#1		4233
Packaging danger level code	27	DGS SG25#1\SG50#1\SG65#1		8339
Packaging Type	32	FTX SG25#1\SG50#1\SG65#1	C108	4440
Packaging type in plain text	32	FTX SG25#1\SG50#1\SG65#1	C108	4440
Password interchange	2	UNB	S005	0022
Place of the carrier - name of a city (town, village) for addressing purposes	11	NAD SG9#1\SG16#2		3164
Place of the receiver - name of a city (town, village) for addressing purposes.	20	NAD SG25#1\SG43#1		3164
Place of unloading	21	LOC SG25#1\SG43#1	C517	3225
Postcode of the carrier	11	NAD SG9#1\SG16#2		3251
Postcode of the receiver	20	NAD SG25#1\SG43#1		3251
Release character	1	UNA		UNA4
Requirements for the means of transport	18	TDT SG25#1\SG38#1	C228	8179
Reserved for future use	1	UNA		UNA5
Routing address	2	UNB	S003	0014
Seal number connected to the equipment	15	SEL SG21#1		9308
Segment terminator	1	UNA		UNA6
Serial Shipping Container Code (SSCC)	26	GIN SG25#1\SG50#1\SG55#1	C208	7402
Specification of dangerous goods classification according to ADR	27	DGS SG25#1\SG50#1\SG65#1	C205	8351
Statements on business letters	8	RFF SG1#1	C506	1154
Street and number of the receiver	20	NAD SG25#1\SG43#1	C059	3042
Street of the carrier	11	NAD SG9#1\SG16#2	C059	3042
Syntax version	2	UNB	S001	0002

**Business Terms**

<b>Business Term</b>	<b>EANCOM-Segment</b>		<b>Data Element</b>	
	Seg.-No.	Segment SG	DEG	DE
Technical name	28 FTX	SG25#1\SG50#1\SG65#1	C108	4440
Technical name 2	28 FTX	SG25#1\SG50#1\SG65#1	C108	4440
Technical name 3	28 FTX	SG25#1\SG50#1\SG65#1	C108	4440
Technical name 4	28 FTX	SG25#1\SG50#1\SG65#1	C108	4440
Technical name 5	28 FTX	SG25#1\SG50#1\SG65#1	C108	4440
Test indicator	2 UNB			0035
Total gross weight	7 CNT		C270	6066
Total number of segments	39 UNT			0074
Transport category	33 FTX	SG25#1\SG50#1\SG65#1	C108	4440
Tunnel restriction code	34 FTX	SG25#1\SG50#1\SG65#1	C108	4440
UN number	27 DGS	SG25#1\SG50#1\SG65#1	C234	7124
Vehicle licence plate	18 TDT	SG25#1\SG38#1	C222	8212

## Branching Diagram



Tag	
St	MaxOcc
No	

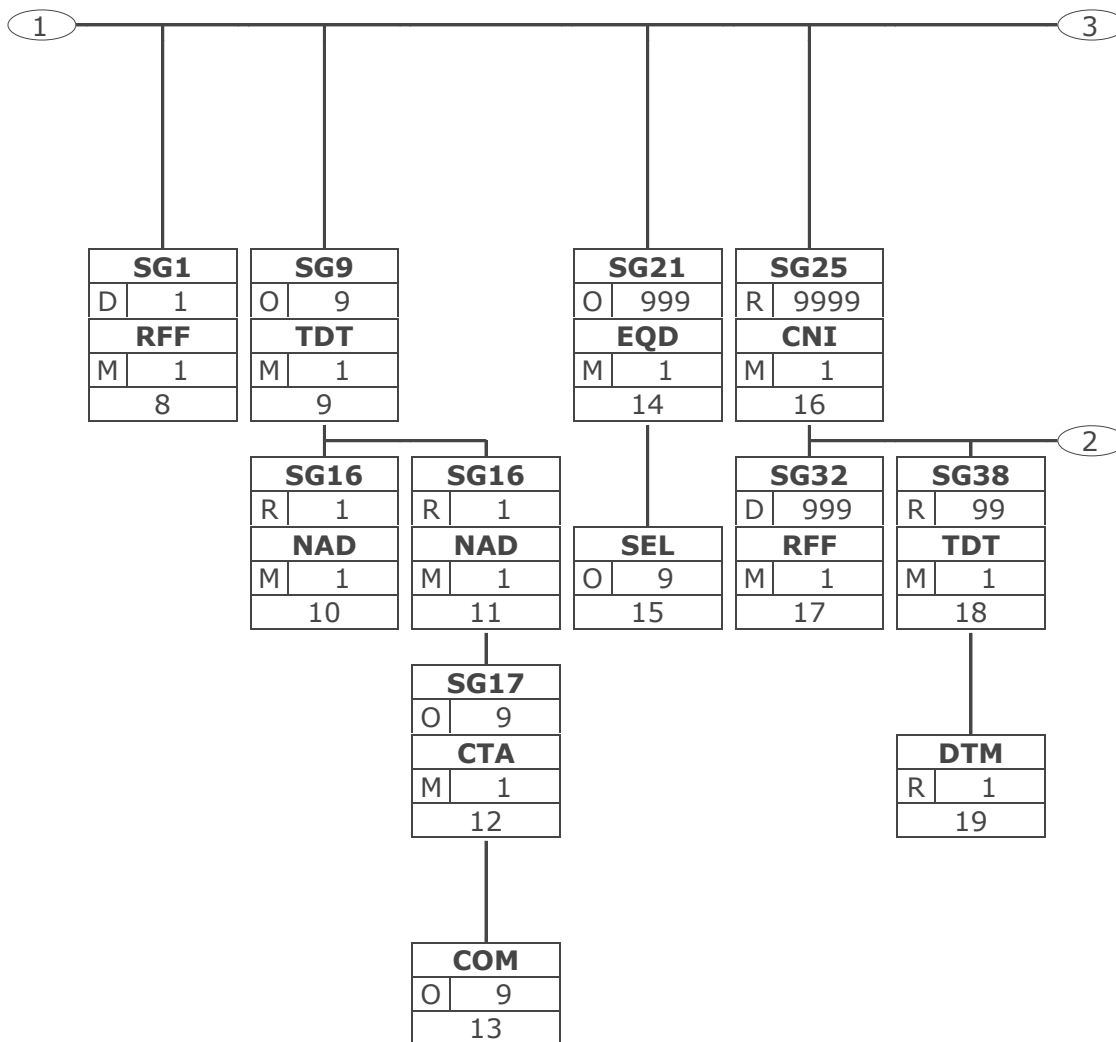
Tag = Segment/Group Tag

St = Status (M=Mandatory, C=Conditional, R=Required, O=Optional, A=Advised, D=Dependent)

MaxOcc = Maximum occurrence of the segment/group; No = Consecutive segment number

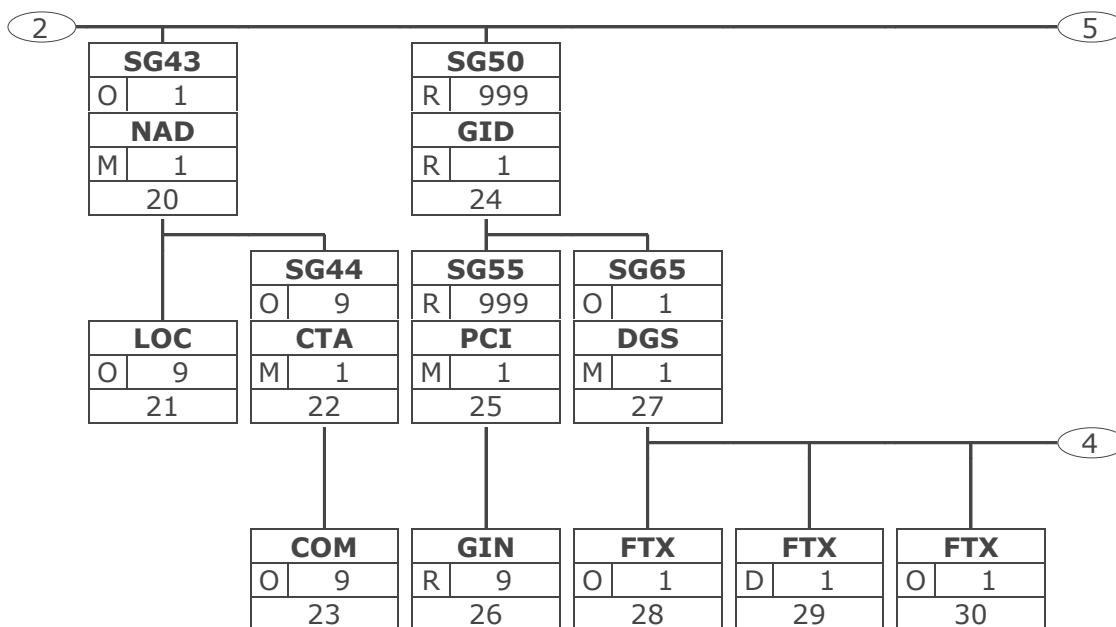


## Branching Diagram



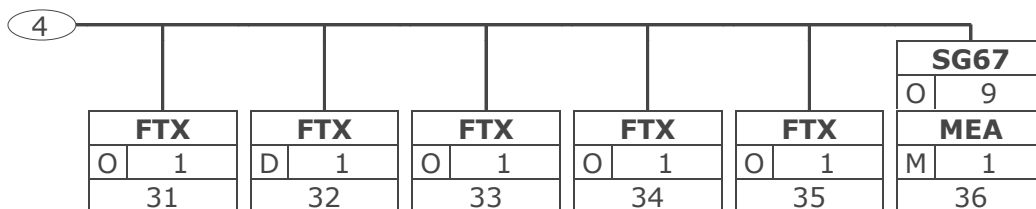
Tag	Tag = Segment/Group Tag
St   MaxOcc	St = Status (M=Mandatory, C=Conditional, R=Required, O=Optional, A=Advised, D=Dependent)
No	MaxOcc = Maximum occurrence of the segment/group; No = Consecutive segment number

## Branching Diagram



Tag	Tag = Segment/Group Tag
St   MaxOcc	St = Status (M=Mandatory, C=Conditional, R=Required, O=Optional, A=Advised, D=Dependent)
No	MaxOcc = Maximum occurrence of the segment/group; No = Consecutive segment number

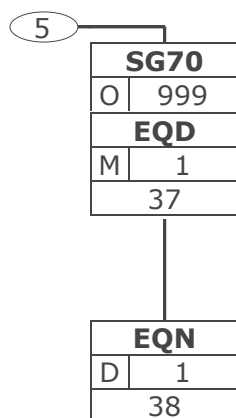
## Branching Diagram



Tag	Tag = Segment/Group Tag
St   MaxOcc	St = Status (M=Mandatory, C=Conditional, R=Required, O=Optional, A=Advised, D=Dependent)
No	MaxOcc = Maximum occurrence of the segment/group; No = Consecutive segment number

## Branching Diagram

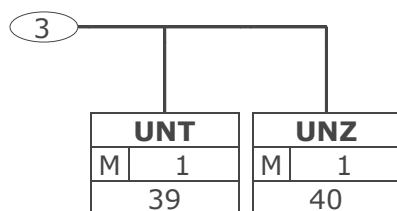
---



Tag	Tag = Segment/Group Tag
St   MaxOcc	St = Status (M=Mandatory, C=Conditional, R=Required, O=Optional, A=Advised, D=Dependent)
No	MaxOcc = Maximum occurrence of the segment/group; No = Consecutive segment number

## Branching Diagram

---



Tag	Tag = Segment/Group Tag
St   MaxOcc	St = Status (M=Mandatory, C=Conditional, R=Required, O=Optional, A=Advised, D=Dependent)
No	MaxOcc = Maximum occurrence of the segment/group; No = Consecutive segment number

**Message Structure**

Seg.	No.	Status	Max Occ	Segment
UNA	1	R	1	Used character set
UNB	2	M	1	Beginning of transmission file
<b>Heading Section</b>				
UNH	3	M	1	Beginn of message
BGM	4	M	1	Document number
DTM	5	R	1	Creation date
FTX	6	O	99	Additional delivery informationen
CNT	7	O	1	Control total gross weight
SG1		D	1	RFF
RFF	8	M	1	Statements on business letters
SG9		O	9	TDT-SG16-SG16
TDT	9	M	1	Requirements for the means of transport
SG16		R	1	NAD
NAD	10	M	1	Identification of the freight forwarder
SG16		R	1	NAD-SG17
NAD	11	M	1	Identification of the carrier
SG17		O	9	CTA-COM
CTA	12	M	1	Contact person or department freight forwarder
COM	13	O	9	Communication number
SG21		O	999	EQD-SEL
EQD	14	M	1	Loading equipment
SEL	15	O	9	Seal number connected to the equipment
SG25		R	9999	CNI-SG32-SG38-SG43-SG50-SG70
CNI	16	M	1	Consignment reference number
SG32		D	999	RFF
RFF	17	M	1	Delivery note
SG38		R	99	TDT-DTM
TDT	18	M	1	Requirements for the means of transport
DTM	19	R	1	Arrival date
SG43		O	1	NAD-LOC-SG44
NAD	20	M	1	Identification of the delivery party
LOC	21	O	9	Place of delivery
SG44		O	9	CTA-COM
CTA	22	M	1	Contact person or department place of loading
COM	23	O	9	Communication number
<b>Detail Section</b>				
SG50		R	999	GID-SG55-SG65
GID	24	R	1	Number of packages
SG55		R	999	PCI-GIN
PCI	25	M	1	Marking with SSCC
GIN	26	R	9	Serial Shipping Container Code (SSCC)
SG65		O	1	DGS-FTX-FTX-FTX-FTX-FTX-FTX-FTX-FTX-SG67
DGS	27	M	1	Dangerous goods

Max. Occ. = Maximum occurrence of the segment/group, Status: M=Mandatory, C=Conditional, R=Required, O=Optional, A=Advised, D=Dependent

**Message Structure**

<b>Seg.</b>	<b>No.</b>	<b>Status</b>	<b>Max Occ</b>	<b>Segment</b>
FTX	28	O	1	Technical name of dangerous goods
FTX	29	D	1	Hazard Causing Material
FTX	30	O	1	Environmentally hazardous (Yes/No)
FTX	31	O	1	Dangerous goods type EQ / LQ / SV
FTX	32	D	1	Packaging type
FTX	33	O	1	Transport category
FTX	34	O	1	Tunnel restriction code
FTX	35	O	1	Other service information of dangerous goods
SG67		O	9	MEA
MEA	36	M	1	Dimensions of dangerous goods
SG70		O	999	EQD-EQN
EQD	37	M	1	Loading aids & loading vessel ID
EQN	38	D	1	Number of loading aids
<b>Summary Section</b>				
UNT	39	M	1	End of message
UNZ	40	M	1	End of the transmission file

Max. Occ. = Maximum occurrence of the segment/group, Status: M=Mandatory, C=Conditional, R=Required, O=Optional, A=Advised, D=Dependent

## Segment Layout

No. Seg	St	Max. Occ.			
1		R 1	<b>UNA</b> Service string advice		
To define the characters selected for use as delimiters and indicators in the rest of the interchange that follows.					
Business Term	DE	EDIFACT	Format	St	* Description
Component data element separator	UNA1	Component data element separator	an1	M	Default value: ":"
Data element separator	UNA2	Data element separator	an1	M	Default value: "+"
Decimal notation	UNA3	Decimal notation	an1	M	Default value: "."
Release character	UNA4	Release indicator	an1	M	Default value: "?"
Reserved for future use	UNA5	Reserved for future use	an1	M	(Default value: space )
Segment terminator	UNA6	Segment terminator	an1	M	Default value: "' '
Segmentstatus: Mandatory The use of the UNA segment is mandatory, if character set "A" (UNB,DE0001) is not used. For international EDI the use of character set UNOA is recommended. For national (German) EDI the use of UNOC is reasonable because it contains lower case letters and umlauts.  Example: UNA:+.?' ' <p style="margin-left: 40px;">The UNA segment contains the default service string characters.</p>					

Max. Occ. = Maximum Occurrence, St = Status, \* = Restricted Codes  
 Status: M=Mandatory, R=Required, O=Optional, D=Dependent, A=Advised, N=Not used



## Segment Layout

No. Seg	St	Max. Occ.				
2	<b>UNB</b>	M 1	Interchange header To start, identify and specify an interchange.			
Business Term	DE	EDIFACT	Format	St	*	Description
	S001	Syntax identifier		M		
Character set	0001	Syntax identifier	a4	M		UNOA UN/ECE level A UNOB UN/ECE level B UNOC UN/ECE level C UNOD UN/ECE level D UNOE UN/ECE level E UNOF UN/ECE level F
Syntax version	0002	Syntax version number	n1	M	*	3 Version 3
	S002	Interchange sender		M		
Indentification of the sender of the transmission file	0004	Sender identification	an..35	M		= Global Location Number (GLN)
	0007	Partner identification code qualifier	an..4	R	*	14 GS1
Address for reverse routing	0008	Address for reverse routing	an..14	O		See note
	S003	Interchange recipient		M		
Indentification of the receiver of the transmission file	0010	Recipient identification	an..35	M		= Global Location Number (GLN)
	0007	Partner identification code qualifier	an..4	R	*	14 GS1
Routing address	0014	Routing address	an..14	O		See note
	S004	Date/time of preparation		M		
File creation date	0017	Date of preparation	n6	M		= Dateformat JJMMTT
File creation time	0019	Time of preparation	n4	M		= Timeformat HHMM
Interchange control reference, beginnig	0020	Interchange control reference	an..14	M		= Unique senders reference
	S005	Recipient's reference, password		O		
Password interchange	0022	Recipient's reference/ password	an..14	M		
	0025	Recipient's reference/ password qualifier	an2	O	*	AA Reference BB Password
Application reference	0026	Application reference	an..14	O		Message type if the transmission fole contains only one message type
	0029	Processing priority code	a1	O	*	A Highest priority
Acknowledgement request	0031	Acknowledgement request	n1	O		
EANCOM	0032	Communications agreement ID	an..35	R		= EANCOM... EDIFACT subset identification (see note)
Test indicator	0035	Test indicator	n1	O	*	1 Interchange is a test

Max. Occ. = Maximum Occurrence, St = Status, \* = Restricted Codes  
Status: M=Mandatory, R=Required, O=Optional, D=Dependent, A=Advised, N=Not used

## Segment Layout

Segmentstatus: Mandatory

For international EDI the use of character set UNOA is recommended. For national (German) EDI the use of UNOC is reasonable because it contains lower case letters and umlauts.

Note DE 0008:

The address for reverse routing is provided by the interchange sender to inform the interchange recipient of the address within the sender's (source) system to which responding interchanges must be sent. It is recommended that the GLN be used for this purpose.

Note DE 0014:

The routing address is used to identify the receiver, if a provider adds service values for the actual receiver (e.g. consolidated companies, corporate group). The use of the identification system (e.g. GLN) has to be agreed bilaterally.

Note DE 0020:

This data element must contain a consistent sequential number per interchange between sender and receiver of the transmission.

Note DE 0032:

This data element is used to identify any underlying agreements which control the exchange of data. Within EANCOM, the identity of such agreements must start with the letters 'EANCOM', the remaining characters within the data element being filled according to bilateral agreements.

Example: UNB+UNOC:3+4012345000009:14:4012345000018+4000004000002:14:4000004000099+161013:1043+4711+REF:AA+++EANCOM+1'

The EANCOM file 4711 dated 13.10.2016, 10 h 43 is sent by the issuer identified with GLN 4012345000009 to the receiver identified with GLN 4000004000002.

Max. Occ. = Maximum Occurrence, St = Status, \* = Restricted Codes

Status: M=Mandatory, R=Required, O=Optional, D=Dependent, A=Advised, N=Not used

**Segment Layout**

No. Seg	St	Max. Occ.			
3	<b>UNH</b>	M 1	Message header To head, identify and specify a message.		
Business Term	DE	EDIFACT	Format	St	* Description
Message reference number	0062	Message reference number	an..14	M	Senders unique message reference. Sequence number of the messages in the interchange. DE 0062 in the UNT will be identical. Sender generated.
	S009	Message identifier		M	
	0065	Message type	an..6	M	IFCSUM Forwarding and consolidation summary message
	0052	Message version number	an..3	M	D Draft version/ UN/EDIFACT Directory
	0054	Message release number	an..3	M	01B Release 2001 - B
	0051	Controlling agency	an..2	M	UN UN/CEFACT
	0057	Association assigned code	an..6	R	EAN003 GS1 version control number (GS1 Permanent Code)
Segmentstatus: Mandatory This segment is used to head, identify and specify a message.  Example: UNH+ME000001+IFCSUM:D:01B:UN:EAN003 ' The reference number of the IFCSUM message is ME000001.					

Max. Occ. = Maximum Occurrence, St = Status, \* = Restricted Codes  
 Status: M=Mandatory, R=Required, O=Optional, D=Dependent, A=Advised, N=Not used

**Segment Layout**

No.	Seg	St	Max.	Occ.			
4	<b>BGM</b>	M	1		Beginning of message To indicate the type and function of a message and to transmit the identifying number.		
Business Term	DE	EDIFACT	Format	St	*	Description	
	C002	Document/message name		R			
	1001	Document name code	an..3	R	*	781 Arrival notice (goods)	
	C106	Document/message identification		R			
Forwarding and consolidation summary number	1004	Document identifier	an..35	R			
	1225	Message function code	an..3	R		9 Original	
<p>Segmentstatus: Mandatory  This segment serves to display the type and function of a message and to transmit the identification number.  In the sense of a best practice application the DE 1225 should always be the original transmission of the forwarding and consolidation summary.  Example: BGM+781+ISC587421+9'  The document number is ISC587421.</p>							

Max. Occ. = Maximum Occurrence, St = Status, \* = Restricted Codes  
Status: M=Mandatory, R=Required, O=Optional, D=Dependent, A=Advised, N=Not used

**Segment Layout**

No.	Seg	St	Max.	Occ.			
5	<b>DTM</b>	R	1		Date/time/period To specify date, and/or time, or period.		
Business Term	DE	EDIFACT	Format	St	*	Description	
	C507	Date/time/period		M			
	2005	Date or time or period function code qualifier	an..3	M	*	137 Document/ message date/ time	
Creation date	2380	Date or time or period value	an..35	R			
	2379	Date or time or period format code	an..3	R		102 CCYYMMDD 203 CCYYMMDDHHMM	
<p>Segmentstatus: Mandatory            Identification of the 'Document/message date/time' (code value 137) is mandatory in the invoice message.</p> <p>Example: <code>DTM+137:20160823:102'</code>            The document date is the 23th of August 2016.</p> <p>Example: <code>DTM+137:201701100800:203'</code>            The document date is the 23th of August 2016, 8 o'clock.</p>							

Max. Occ. = Maximum Occurrence, St = Status, \* = Restricted Codes  
 Status: M=Mandatory, R=Required, O=Optional, D=Dependent, A=Advised, N=Not used

**Segment Layout**

No. Seg	St	Max. Occ.				
6	<b>FTX</b>	O 99	Free text To provide free form or coded text information.			
Business Term	DE	EDIFACT	Format	St	*	Description
	4451	Text subject code qualifier	an..3	M	*	DEL <b>Delivery information</b>
	4453	Free text function code	an..3	O	*	1 <b>Text for subsequent use</b>
	C107	Text reference		D		
	4441	Free text value code	an..17	M		Agreed text key
	C108	Text literal		D		
<b>Additional delivery information 1</b>	4440	Free text value	an..512	M		
<b>Additional delivery information 2</b>	4440	Free text value	an..512	O		
<b>Additional delivery information 3</b>	4440	Free text value	an..512	O		
<b>Additional delivery information 4</b>	4440	Free text value	an..512	O		
<b>Additional delivery information 5</b>	4440	Free text value	an..512	O		
	3453	Language name code	an..3	D		DE German ISO 639 2-Alpha Code
<p>Segmentstatus: Optional</p> <p>This segment is used to transfer delivery information concerning the entire transport. Use of this segment in free form is not recommended since it may inhibit automatic processing of the Transport Instruction. Coded references to standard texts is an available functionality which enables automatic processing and reduces transmission overheads. Standard texts should be mutually defined between trading partners and can be used to cover legal or other requirements.</p> <p>Note:</p> <p>DEG C107: This composite is only used when trading partners have agreed to use mutually defined code values.</p> <p>DEG C108: This composite is only used if coded text can not be used. DE 4440 must be used if DEG C108 are used.</p> <p>DE 3453: ISO 639 two alpha code - This data element is only used when non coded free text has been provided in data element C108.</p> <p>Example:FTX+DEL+1+002+Lieferinformation 1:Lieferinformation 2:Lieferinformation 3:Lieferinformation 4:Lieferinformation 5+DE' Specification of delivery information.</p>						

Max. Occ. = Maximum Occurrence, St = Status, \* = Restricted Codes  
 Status: M=Mandatory, R=Required, O=Optional, D=Dependent, A=Advised, N=Not used

## Segment Layout

No. Seg	St	Max. Occ.				
7	<b>CNT</b>	O 1	Control total To provide control total.			
Business Term	DE	EDIFACT	Format	St	*	Description
	C270	Control		M		
	6069	Control total type code qualifier	an..3	M	*	7 Total gross weight
Total gross weight	6066	Control total value	n..18	M		
	6411	Measurement unit code	an..3	O		KGM kilogram
Segmentstatus: Optional This segment is used to provide the total gross weight of the consignment.  Example: CNT+7:200:KGM' The total gross weight is 200 kilogram.						

Max. Occ. = Maximum Occurrence, St = Status, \* = Restricted Codes  
 Status: M=Mandatory, R=Required, O=Optional, D=Dependent, A=Advised, N=Not used

## Segment Layout

No.	Seg	St	Max.	Occ.		
8	<b>SG1</b>	D	1		RFF	
	<b>RFF</b>	M	1		Reference	
To specify a reference.						
Business Term	DE	EDIFACT	Format	St	*	Description
	C506	Reference		M		
	1153	Reference code qualifier	an..3	M	*	GN <b>Government reference number</b>
<b>Statements on business letters</b>	1154	Reference identifier	an..70	R		
<p>Segmentstatus: Depending                      This RFF segment may only be used if NAD has not enough space to fulfill the requirements of directive 2003/58/EG, article 4.</p> <p>Example: RFF+GN:HRB-471111 '                      German Statements on business letters: HRB-471111.</p>						

Max. Occ. = Maximum Occurrence, St = Status, \* = Restricted Codes  
 Status: M=Mandatory, R=Required, O=Optional, D=Dependent, A=Advised, N=Not used



## Segment Layout

No.	Seg	St	Max. Occ.				
9	<b>SG9</b>	O	9	TDT-SG16			
	<b>TDT</b>	M	1	Details of transport To specify the transport details such as mode of transport, means of transport, its conveyance reference number and the identification of the means of transport.			
Business Term		DE	EDIFACT	Format	St	*	Description
		8051	Transport stage code qualifier	an..3	M		20 Main-carriage transport
<p>Segmentstatus: Optional                      This segment is used as a trigger segment for subsequent information. The mode of transport and identification of the means of transport is shown in SG 38.</p> <p>Example: <b>TDT+20'</b>                      It is the main-carriage transport.</p>							

Max. Occ. = Maximum Occurrence, St = Status, \* = Restricted Codes  
 Status: M=Mandatory, R=Required, O=Optional, D=Dependent, A=Advised, N=Not used

**Segment Layout**

No.	Seg	St	Max. Occ.			
10	<b>SG9</b>	O	9	TDT-SG16		
	<b>SG16</b>	R	1	NAD		
	<b>NAD</b>	M	1	Name and address		
To specify the name/address and their related function, either by C082 only and/or unstructured by C058 or structured by C080 thru 3207.						
Business Term	DE	EDIFACT	Format	St	*	Description
	3035	Party function code qualifier	an..3	M	*	FW <b>Freight forwarder</b>
	C082	Party identification details		A		
<b>Identification of the Freight Forwarder</b>	3039	Party identifier	an..35	M		Global Location Number (GLN) - Format n13
	1131	Code list identification code	an..17	N		
	3055	Code list responsible agency code	an..3	R	*	9 <b>GS1</b>
	C058	Name and address		O		This composite may only be used to fulfill the requirements of directive 2003/58/EG, article 4. If applicable the message sender gets the possibility to give the relevant statements at this place. If C058 ist not sufficient, more declaration can be given in following RFF+GN... segments.
	3124	Name and address description	an..35	M		
	3124	Name and address description	an..35	O		
	3124	Name and address description	an..35	O		
	3124	Name and address description	an..35	O		
	3124	Name and address description	an..35	O		
Segmentstatus: Mandatory						
The identification of the freight forwarder (here: the message sender) takes place via the GLN.						
Example: <b>NAD+FW+4008451231352::9+X:X:X:X'</b>						
The freight forwarder's GLN is 4008451231352.						

Max. Occ. = Maximum Occurrence, St = Status, \* = Restricted Codes  
 Status: M=Mandatory, R=Required, O=Optional, D=Dependent, A=Advised, N=Not used

## Segment Layout

No. Seg	St	Max. Occ.				
11	<b>SG9</b>	O 9	TDT-SG16			
	<b>SG16</b>	R 1	NAD-SG17			
	<b>NAD</b>	M 1	Name and address			
To specify the name/address and their related function, either by C082 only and/or unstructured by C058 or structured by C080 thru 3207.						
Business Term	DE	EDIFACT	Format	St	*	Description
	3035	Party function code qualifier	an..3	M	*	CA <b>Carrier</b>
	C082	Party identification details		A		
<b>Identification of the carrier</b>	3039	Party identifier	an..35	M		Global Location Number (GLN) - Format n13
	1131	Code list identification code	an..17	N		
	3055	Code list responsible agency code	an..3	R	*	9 <b>GS1</b>
	C058	Name and address		O		This composite may only be used to fulfill the requirements of directive 2003/58/EG, article 4. If applicable the message sender gets the possibility to give the relevant statements at this place. If C058 ist not sufficient, more declaration can be given in following RFF+GN... segments.
	3124	Name and address description	an..35	M		
	3124	Name and address description	an..35	O		
	3124	Name and address description	an..35	O		
	3124	Name and address description	an..35	O		
	3124	Name and address description	an..35	O		
	C080	Party name		D		
<b>Name of the carrier 1</b>	3036	Party name	an..35	O		
<b>Name of the carrier 2</b>	3036	Party name	an..35	O		
	C059	Street		D		
<b>Street of the carrier</b>	3042	Street and number or post office box identifier	an..35	O		
<b>Place of the carrier - name of a city (town, village) for adressing purposes</b>	3164	City name	an..35	D		
	C819	Country sub-entity details		D		

Max. Occ. = Maximum Occurrence, St = Status, \* = Restricted Codes

Status: M=Mandatory, R=Required, O=Optional, D=Dependent, A=Advised, N=Not used

## Segment Layout

Business Term	DE	EDIFACT	Format	St	*	Description
Identification of the name of sub-entities (state, province) defined by appropriate governmental agencies	3229	Country sub-entity name code	an..9	O		
Postcode of the carrier	3251	Postal identification code	an..17	D		
Country of the carrier, coded	3207	Country name code	an..3	D		

Segmentstatus: Mandatory

The carrier is identified by GLN or clear text.

The NAD segment is used to specify the name and address as well as function of a partner, either only by the data element group C082 or structured by the data element group C080 to 3207.

DE 3039: The use of the Global Location Number (GLN) is recommended for the identification of the partners. When GLN is used, it is sufficient.

For recipients who do not (yet) have a GLN, the address is specified as plain text. In this case, the DE group C082 remains empty.

Example: NAD+CA+5412345000013::9+X:X:X:X:X+FIRMA B:Herr Klein+Berliner Str. 5+Köln++50835+D  
E'

The carrier's GLN is 5412345000013.

Max. Occ. = Maximum Occurrence, St = Status, \* = Restricted Codes

Status: M=Mandatory, R=Required, O=Optional, D=Dependent, A=Advised, N=Not used

## Segment Layout

No.	Seg	St	Max. Occ.				
12	<b>SG9</b>	O	9	TDT-SG16			
	<b>SG16</b>	R	1	NAD-SG17			
	<b>SG17</b>	O	9	CTA-COM			
	<b>CTA</b>	M	1	Contact information To identify a person or a department to whom communication should be directed.			
Business Term		DE	EDIFACT	Format	St	*	Description
		3139	Contact function code	an..3	R	*	IC Information contact
		C056	Department or employee details		O		
	Department	3413	Department or employee name code	an..17	O		
	Name of the contact person	3412	Department or employee name	an..35	O		
<p>Segmentstatus: Optional                      This segment is used to specify a department and a person of the company specified in the NAD segment.                      For possible checkback this segment can provide a person to turn to.                      Example: CTA+IC+:Frau Richter'                      Contact person is Frau Richter.</p>							

Max. Occ. = Maximum Occurrence, St = Status, \* = Restricted Codes  
 Status: M=Mandatory, R=Required, O=Optional, D=Dependent, A=Advised, N=Not used

## Segment Layout

No.	Seg	St	Max. Occ.				
13	<b>SG9</b>	O	9	TDT-SG16			
	<b>SG16</b>	R	1	NAD-SG17			
	<b>SG17</b>	O	9	CTA-COM			
	<b>COM</b>	O	9	Communication contact			
To identify a communication number of a department or a person to whom communication should be directed.							
Business Term		DE	EDIFACT	Format	St	*	Description
		C076	Communication contact		M		
Communication number		3148	Communication address identifier	an..512	M		
		3155	Communication address code qualifier	an..3	M		TE Telephone
<p>Segmentstatus: Optional                      This segment identifies the communications number and type of communications for the person or department identified in the previous CTA segment.</p> <p>Example: COM+346752:TE'                      Frau Richter's phone number is 346752.</p>							

Max. Occ. = Maximum Occurrence, St = Status, \* = Restricted Codes  
 Status: M=Mandatory, R=Required, O=Optional, D=Dependent, A=Advised, N=Not used

## Segment Layout

No.	Seg	St	Max. Occ.			
14	<b>SG21</b>	O	999	EQD-SEL		
	<b>EQD</b>	M	1	Equipment details		
To identify a unit of equipment.						
Business Term	DE	EDIFACT	Format	St	*	Description
	8053	Equipment type code qualifier	an..3	M		CN Container
	C237	Equipment identification		O		
<b>Loading equipment</b>	8260	Equipment identifier	an..17	A		
Segmentstatus: Optional This segment is used to provide information about the loading equipment in the forwarding and consolidation summary.  Example: EQD+CN+93221 ' The loading equipment is a container with the number 93221.						

Max. Occ. = Maximum Occurrence, St = Status, \* = Restricted Codes  
 Status: M=Mandatory, R=Required, O=Optional, D=Dependent, A=Advised, N=Not used

## Segment Layout

No.	Seg	St	Max.	Occ.			
	<b>SG21</b>	O	999		EQD-SEL		
15	<b>SEL</b>	O	9		Seal number		
To specify the seal number or a range of seal numbers.							
Business Term		DE	EDIFACT	Format	St	*	Description
Seal number connected to the equipment		9308	Seal identifier	an..35	C		
<p>Segmentstatus: Optional                      This segment is used to specify a seal number which is connected to the equipment identified in the EQD segment.</p> <p>Example: SEL+14526'                      The seal number connected to the equipment is 93221.</p>							

Max. Occ. = Maximum Occurrence, St = Status, \* = Restricted Codes  
 Status: M=Mandatory, R=Required, O=Optional, D=Dependent, A=Advised, N=Not used



**Segment Layout**

No.	Seg	St	Max. Occ.				
16	<b>SG25</b>	R	9999	CNI-SG32-SG38-SG43-SG50-SG70			
	<b>CNI</b>	M	1	Consignment information To identify one consignment.			
Business Term		DE	EDIFACT	Format	St	*	Description
		1490	Consolidation item number	n..4	C		Continuous numbering to distinguish each individual consignment within the forwarding and consolidation summary.
		C503	Document/message details		O		
Referenznummer der Sendung (vergeben vom Versender)		1004	Consignment reference number (assigned by the consignor)	an..35	C		
<p>Segmentstatus: Mandatory  This segment identifies a consignment within the forwarding and consolidation summary by means of a reference number assigned by the shipper.</p> <p>Example: CNI+12+AVV23441'  The consignment reference number is AVV23441.</p>							

Max. Occ. = Maximum Occurrence, St = Status, \* = Restricted Codes  
Status: M=Mandatory, R=Required, O=Optional, D=Dependent, A=Advised, N=Not used

## Segment Layout

No.	Seg	St	Max. Occ.				
17	<b>SG25</b>	R	9999	CNI-SG32-SG38-SG43-SG50-SG70			
	<b>SG32</b>	D	999	RFF			
	<b>RFF</b>	M	1	Reference To specify a reference.			
Business Term		DE	EDIFACT	Format	St	*	Description
		C506	Reference		M		
		1153	Reference code qualifier	an..3	M	*	DQ Delivery note number
	Delivery note	1154	Reference identifier	an..70	R		
<p>Segmentstatus: Dependent                      If (yet) no SSCC is used, the delivery number must be transmitted in this segment. If the SSCC is used, this segment is omitted.</p> <p>Example: RFF+DQ: 3546 '                      The message references to delivery note number 3546.</p>							

Max. Occ. = Maximum Occurrence, St = Status, \* = Restricted Codes  
 Status: M=Mandatory, R=Required, O=Optional, D=Dependent, A=Advised, N=Not used

**Segment Layout**

No. Seg	St	Max. Occ.				
18	<b>SG25</b>	R 9999	CNI-SG32-SG38-SG43-SG50-SG70			
	<b>SG38</b>	R 99	TDT-DTM			
	<b>TDT</b>	M 1	Details of transport			
To specify the transport details such as mode of transport, means of transport, its conveyance reference number and the identification of the means of transport.						
Business Term	DE	EDIFACT	Format	St	*	Description
	8051	Transport stage code qualifier	an..3	M		20 Main-carriage transport
	8028	Means of transport journey identifier	an..17	N		
	C220	Mode of transport		R		
	8067	Transport mode name code	an..3	C		30 Road transport
	C228	Transport means		O		
Requirements for the means of transport	8179	Transport means description code	an..8	D		31 Truck
	C040	Carrier		O		
Identification of the carrier	3127	Carrier identifier	an..17	A		
	8101	Transit direction indicator code	an..3	N		
	C401	Excess transportation information		N		
	8457	Excess transportation reason code	an..3			
	C222	Transport identification		O		
	8213	Transport means identification name identifier	an..9	N		
	1131	Code list identification code	an..17	N		
	3055	Code list responsible agency code	an..3	N		
Vehicle licence plate	8212	Transport means identification name	an..35	R		
<p>Segmentstatus: Mandatory  This segment is used to identify the means of transport.</p> <p>Example: TDT+20++30+31++++:::K-LM-1234'  The truck license plate is K-LM-1234.</p>						

Max. Occ. = Maximum Occurrence, St = Status, \* = Restricted Codes  
Status: M=Mandatory, R=Required, O=Optional, D=Dependent, A=Advised, N=Not used

## Segment Layout

No.	Seg	St	Max. Occ.				
19	<b>SG25</b>	R	9999	CNI-SG32-SG38-SG43-SG50-SG70			
	<b>SG38</b>	R	99	TDT-DTM			
	<b>DTM</b>	R	1	Date/time/period To specify date, and/or time, or period.			
Business Term		DE	EDIFACT	Format	St	*	Description
		C507	Date/time/period		M		
		2005	Date or time or period function code qualifier	an..3	M	*	132 Arrival date/time, estimated
Arrival date		2380	Date or time or period value	an..35	R		
		2379	Date or time or period format code	an..3	R		102 CCYYMMDD 203 CCYYMMDDHHMM 719 CCYYMMDDHHMM- CCYYMMDDHHMM
<p>Segmentstatus: Mandatory The arrival date must be indicated in the Forwarding and consolidation summary.</p> <p>Example: DTM+2:20160622:102' The document date is the 22th of June 2016.</p>							

Max. Occ. = Maximum Occurrence, St = Status, \* = Restricted Codes  
Status: M=Mandatory, R=Required, O=Optional, D=Dependent, A=Advised, N=Not used

**Segment Layout**

No. Seg	St	Max. Occ.				
20	<b>SG25</b>	R 9999	CNI-SG32-SG38-SG43-SG50-SG70			
	<b>SG43</b>	O 1	NAD-LOC-SG44			
	<b>NAD</b>	M 1	Name and address			
To specify the name/address and their related function, either by C082 only and/or unstructured by C058 or structured by C080 thru 3207.						
Business Term	DE	EDIFACT	Format	St	*	Description
	3035	Party function code qualifier	an..3	M	*	DP <b>Delivery party</b>
	C082	Party identification details		A		
<b>Identifikation des Wareneempfängers Identification of the delivery party</b>	3039	Party identifier	an..35	M		Global Location Number (GLN) - Format n13
	1131	Code list identification code	an..17	N		
	3055	Code list responsible agency code	an..3	R	*	9 <b>GS1</b>
	C058	Name and address		N		
	3124	Name and address description	an..35			
	C080	Party name		D		
<b>Name of the receiver</b>	3036	Party name	an..35	M		
<b>Name 2 of the receiver</b>	3036	Party name	an..35	O		
<b>Name 3 of the receiver</b>	3036	Party name	an..35	O		
	C059	Street		D		
<b>Street and number of the receiver</b>	3042	Street and number or post office box identifier	an..35	M		
<b>Place of the receiver - name of a city (town, village) for addressing purposes.</b>	3164	City name	an..35	D		
	C819	Country sub-entity details		D		
<b>Identification of the name of sub-entities (state, province) defined by appropriate governmental agencies</b>	3229	Country sub-entity name code	an..9	O		
<b>Postcode of the receiver</b>	3251	Postal identification code	an..17	D		
<b>Country of the receiver, coded</b>	3207	Country name code	an..3	D		
<p>Segmentstatus: Optional  The NAD segment is used to specify the name and address as well as function of a partner, either only by the data element group C082 or structured by the data element group C080 to 3207.  DE 3039: The use of the Global Location Number (GLN) is recommended for the identification of the partners. When GLN is used, it is sufficient.</p>						

Max. Occ. = Maximum Occurrence, St = Status, \* = Restricted Codes

Status: M=Mandatory, R=Required, O=Optional, D=Dependent, A=Advised, N=Not used

## Segment Layout

---

For recipients who do not (yet) have a GLN, the address is specified as plain text. In this case, the DE group C082 remains empty.

Example: `NAD+DP+4399899175941::9++FIRMA B:HERR KLOSE:X+KREUTZSTRASSE 14+HAMBURG++22297+DE'`  
The delivery party has the GLN 4399899175941.

## Segment Layout

No.	Seg	St	Max. Occ.			
21	<b>SG25</b>	R	9999	CNI-SG32-SG38-SG43-SG50-SG70		
	<b>SG43</b>	O	1	NAD-LOC-SG44		
	<b>LOC</b>	O	9	Place/location identification To identify a place or a location and/or related locations.		
Business Term		DE	EDIFACT	Format	St	* Description
		3227	Location function code qualifier	an..3	M	* 7 Place of delivery
		C517	Location identification		A	
Place of unloading		3225	Location name code	an..25	A	Global Location Number (GLN) - Format n13
		1131	Code list identification code	an..17	O	
		3055	Code list responsible agency code	an..3	D	9 GS1
<p>Segmentstatus: Optional                      With the LOC segment the unloading points can be identified..                      It is recommended to use the global location number (GLN) to identify place of unloading.                      Example: LOC+7+5412345695219: :9'                      The GLN of the place of unloading is 5412345695219.</p>						

Max. Occ. = Maximum Occurrence, St = Status, \* = Restricted Codes  
 Status: M=Mandatory, R=Required, O=Optional, D=Dependent, A=Advised, N=Not used

## Segment Layout

No. Seg	St	Max. Occ.				
<b>SG25</b>	R	9999	CNI-SG32-SG38-SG43-SG50-SG70			
<b>SG43</b>	O	1	NAD-LOC-SG44			
<b>SG44</b>	O	9	CTA-COM			
22 <b>CTA</b>	M	1	Contact information To identify a person or a department to whom communication should be directed.			
Business Term	DE	EDIFACT	Format	St	*	Description
	3139	Contact function code	an..3	R	*	IC Information contact
	C056	Department or employee details		O		
Department	3413	Department or employee name code	an..17	O		
Name of the contact person	3412	Department or employee name	an..35	O		
<p>Segmentstatus: Optional                      This segment is used to specify a department and a person of the company specified in the NAD segment.                      For possible checkback this segment can provide a person to turn to.                      Example: CTA+IC+:Frau Richter'                      Contact person is Frau Richter.</p>						

Max. Occ. = Maximum Occurrence, St = Status, \* = Restricted Codes  
 Status: M=Mandatory, R=Required, O=Optional, D=Dependent, A=Advised, N=Not used



## Segment Layout

No. Seg	St	Max. Occ.				
23	<b>SG25</b>	R 9999	CNI-SG32-SG38-SG43-SG50-SG70			
	<b>SG43</b>	O 1	NAD-LOC-SG44			
	<b>SG44</b>	O 9	CTA-COM			
	<b>COM</b>	O 9	Communication contact To identify a communication number of a department or a person to whom communication should be directed.			
Business Term	DE	EDIFACT	Format	St	*	Description
	C076	Communication contact		M		
Communication number	3148	Communication address identifier	an..512	M		
	3155	Communication address code qualifier	an..3	M		TE Telephone
<p>Segmentstatus: Optional                      This segment identifies the communications number and type of communications for the person or department identified in the previous CTA segment.                      Example: COM+346752:TE'                      Frau Richter's phone number is 346752.</p>						

Max. Occ. = Maximum Occurrence, St = Status, \* = Restricted Codes  
 Status: M=Mandatory, R=Required, O=Optional, D=Dependent, A=Advised, N=Not used

**Segment Layout**

No.	Seg	St	Max. Occ.			
24	<b>SG25</b>	R	9999	CNI-SG32-SG38-SG43-SG50-SG70		
	<b>SG50</b>	R	999	GID-SG55-SG65		
	<b>GID</b>	R	1	Goods item details		
To indicate totals of a goods item.						
Business Term	DE	EDIFACT	Format	St	*	Description
	1496	Goods item number	n..5	R		Application number identifying items within the current consignment.
	C213	Number and type of packages		R		
Number of packages	7224	Package quantity	n..8	R		
	7065	Package type description code	an..17	O		201 Pallet ISO 1 - 1/1 EURO Pallet (GS1 Temporary Code)
	1131	Code list identification code	an..17	N		
	3055	Code list responsible agency code	an..3	D		9 GS1
<p>Segmentstatus: Mandatory</p> <p>This segment is the trigger segment for the detail section of the transport instruction message. It is used to specify the number and type of packaging for the goods item.</p> <p>Example: GID+1+10:201::9' 10 pallets are transported.</p>						

Max. Occ. = Maximum Occurrence, St = Status, \* = Restricted Codes  
 Status: M=Mandatory, R=Required, O=Optional, D=Dependent, A=Advised, N=Not used

## Segment Layout

No.	Seg	St	Max.	Occ.				
25	<b>SG25</b>	R	9999		CNI-SG32-SG38-SG43-SG50-SG70			
	<b>SG50</b>	R	999		GID-SG55-SG65			
	<b>SG55</b>	R	999		PCI-GIN			
	<b>PCI</b>	M	1		Package identification			
To specify markings and labels on individual packages or physical units.								
Business Term		DE	EDIFACT		Format	St	*	Description
Package identification type		4233	Marking instructions code		an..3	R	*	33E Marked with serial shipping container code (GS1 Temporary Code)
<p>Segmentstatus: Mandatory                      This segment is used to specify markings and labels which have been marked on the packaging of the current goods item.</p> <p>Example: PCI+33E'                      The shipment item contains a SSCC.</p>								

Max. Occ. = Maximum Occurrence, St = Status, \* = Restricted Codes  
 Status: M=Mandatory, R=Required, O=Optional, D=Dependent, A=Advised, N=Not used

## Segment Layout

No.	Seg	St	Max. Occ.				
26	<b>SG25</b>	R	9999	CNI-SG32-SG38-SG43-SG50-SG70			
	<b>SG50</b>	R	999	GID-SG55-SG65			
	<b>SG55</b>	R	999	PCI-GIN			
	<b>GIN</b>	R	9	Goods identity number			
To give specific identification numbers, either as single numbers or ranges.							
Business Term		DE	EDIFACT	Format	St	*	Description
		7405	Object identification code qualifier	an..3	M	*	BJ <b>Serial shipping container code</b>
		C208	Identity number range		M		
<b>Serial Shipping Container Code (SSCC)</b>		7402	Object identifier	an..35	M		
<p>Segmentstatus: Mandatory                      This segment is used to provide the Serial Shipping Container Code marked on the packaging of the current goods item.</p> <p>Example: GIN+BJ+354123450000000014'                      The SSCC is 340123450000000014</p>							

Max. Occ. = Maximum Occurrence, St = Status, \* = Restricted Codes  
 Status: M=Mandatory, R=Required, O=Optional, D=Dependent, A=Advised, N=Not used

## Segment Layout

No. Seg	St	Max. Occ.			
<b>SG25</b>	R	9999	CNI-SG32-SG38-SG43-SG50-SG70		
<b>SG50</b>	R	999	GID-SG55-SG65		
<b>SG65</b>	O	1	DGS-FTX-SG67		
27	<b>DGS</b>	M 1	Dangerous goods To identify dangerous goods.		
Business Term	DE	EDIFACT	Format	St	* Description
	8273	Dangerous goods regulations code	an..3	R	* ADR <b>European agreement regarding the total carriage of dangerous goods</b>
	C205	Hazard code		O	
<b>Specification of dangerous goods classification according to ADR</b>	8351	Hazard identification code	an..7	M	Classification according ADR/RID rules
<b>Additional specification of classification code</b>	8078	Additional hazard classification identifier	an..7	O	Additional according ADR/RID rules
<b>Dangerous goods code, version number</b>	8092	Hazard code version identifier	an..10	O	
	C234	UNDG information		O	
<b>UN number</b>	7124	United Nations Dangerous Goods (UNDG) identifier	n4	O	
	7088	Dangerous goods flashpoint value	an..8	O	Declaration of the flashpoint.
	C223	Dangerous goods shipment flashpoint		O	
	7106	Shipment flashpoint value	n3	O	
	6411	Measurement unit code	an..3	O	CEL degree celsius
<b>Packaging danger level code</b>	8339	Packaging danger level code	an..3	O	* 1 <b>Great danger</b> 2 <b>Medium danger</b> 3 <b>Minor danger</b> 4 <b>Not assigned</b>
	8364	Emergency procedure for ships identifier	an..6	N	
	8410	Hazard medical first aid guide identifier	an..4	N	
	8126	Transport emergency card identifier	an..10	O	TREM card number according ADR - bilateral agreement
	C235	Hazard identification placard details		O	
	8158	Orange hazard placard upper part identifier	an..4	O	
	8186	Orange hazard placard lower part identifier	an4	O	

Max. Occ. = Maximum Occurrence, St = Status, \* = Restricted Codes  
 Status: M=Mandatory, R=Required, O=Optional, D=Dependent, A=Advised, N=Not used

## Segment Layout

Business Term	DE	EDIFACT	Format	St	*	Description
	C236	Dangerous goods label		O		
Number of dangerous goods document primary hazard	8246	Dangerous goods marking identifier	an..4	O		
Number of dangerous goods document secondary hazard	8246	Dangerous goods marking identifier	an..4	O		
Number of dangerous goods document secondary hazard	8246	Dangerous goods marking identifier	an..4	O		
	8255	Packing instruction type code	an..3	N		
	8325	Hazardous means of transport category code	an..3	N		
Hazardous cargo transport authorisation	8211	Hazardous cargo transport authorisation code	an..3	O		N = No Y = Yes

Segmentstatus: Optional

This segment is used to indicate whether the goods item contains any dangerous goods.

Note: As of ADR / RID 2001, the packaging group must also be transferred to non-packaged goods (eg tank, tankcontainer, silo). The packing group 8339 is now also used to indicate the subordinate risks. Number, lowercase (ADR / RID) and position / page number (IMDG).

Example: DGS+ADR+4.1:F1+1456+:CEL+2+++25+46:1868+4.1:6.1+++N'

The dangerous goods have the classification 4.1.

Max. Occ. = Maximum Occurrence, St = Status, \* = Restricted Codes

Status: M=Mandatory, R=Required, O=Optional, D=Dependent, A=Advised, N=Not used

## Segment Layout

No. Seg	St	Max. Occ.			
<b>SG25</b>	R	9999	CNI-SG32-SG38-SG43-SG50-SG70		
<b>SG50</b>	R	999	GID-SG55-SG65		
<b>SG65</b>	O	1	DGS-FTX-SG67		
<b>FTX</b>	O	1	Free text		
28			To provide free form or coded text information.		
Business Term	DE	EDIFACT	Format	St	* Description
	4451	Text subject code qualifier	an..3	M	* AAD Dangerous goods, technical name
	4453	Free text function code	an..3	O	* 1 Text for subsequent use
	C107	Text reference		D	
	4441	Free text value code	an..17	M	Bilaterally agreed code to indicate the technical name.
	1131	Code list identification code	an..17	O	
	3055	Code list responsible agency code	an..3	O	91 Assigned by supplier or supplier's agent
	C108	Text literal		D	
Technical name	4440	Free text value	an..512	M	
Technical name 2	4440	Free text value	an..512	O	
Technical name 3	4440	Free text value	an..512	O	
Technical name 4	4440	Free text value	an..512	O	
Technical name 5	4440	Free text value	an..512	O	
	3453	Language name code	an..3	D	DE German ISO 639 2-Alpha Code
<p>Segmentstatus: Optional</p> <p>Additional required information on the dangerous goods is made in this segment. Use of this segment in free form is not recommended since it may inhibit automatic processing of the Transport Instruction. Coded references to standard texts is an available functionality which enables automatic processing and reduces transmission overheads. Standard texts should be mutually defined between trading partners and can be used to cover legal or other requirements.</p> <p>Notes:</p> <p>DEG C107: This composite is only used when trading partners have agreed to use mutually defined code values.</p> <p>DEG C108: This composite is only used if coded text can not be used. DE 4440 has to be used if DEG C108 is used.</p> <p>- Technical name - Trigger</p> <p>This data element is only used if C108 contains uncoded text in the composite.</p> <p>Example: FTX+AAD+1+ABG: :91+Decaboran+DE'</p> <p>The dangerous goods are Decaboran.</p>					

Max. Occ. = Maximum Occurrence, St = Status, \* = Restricted Codes  
 Status: M=Mandatory, R=Required, O=Optional, D=Dependent, A=Advised, N=Not used

## Segment Layout

No.	Seg	St	Max. Occ.	
	<b>SG25</b>	R	9999	CNI-SG32-SG38-SG43-SG50-SG70
	<b>SG50</b>	R	999	GID-SG55-SG65
	<b>SG65</b>	O	1	DGS-FTX-SG67
29	<b>FTX</b>	D	1	Free text

To provide free form or coded text information.

Business Term	DE	EDIFACT	Format	St	*	Description
	4451	Text subject code qualifier	an..3	M	*	HAZ Hazard information
	4453	Free text function code	an..3	O	*	1 Text for subsequent use
	C107	Text reference		D		
Hazard Causing Material (code)	4441	Free text value code	an..17	M		Bilaterally agreed code for indication of the hazard causing material.
	1131	Code list identification code	an..17	O		
	3055	Code list responsible agency code	an..3	O		91 Assigned by supplier or supplier's agent
	C108	Text literal		D		
Hazard Causing Material (free text)	4440	Free text value	an..512	M		
	4440	Free text value	an..512	O		
	4440	Free text value	an..512	O		
	4440	Free text value	an..512	O		
	4440	Free text value	an..512	O		
	3453	Language name code	an..3	D		DE German ISO 639 2-Alpha Code

Segmentstatus: Depending

Mandatory if as NAG dangerous good declared.

Additional required information on the dangerous goods is made in this segment.

Use of this segment in free form is not recommended since it may inhibit automatic processing of the Transport Instruction. Coded references to standard texts is an available functionality which enables automatic processing and reduces transmission overheads. Standard texts should be mutually defined between trading partners and can be used to cover legal or other requirements.

Notes:

DEG C107: This composite is only used when trading partners have agreed to use mutually defined code values.

DEG C108: This composite is only used if coded text can not be used. DE 4440 has to be used if DEG C108 is used.

This data element is only used if C108 contains uncoded text in the composite.

Example: FTX+HAZ+1++Ethanol+DE'

The dangerous goods are transported with the hazard causing material Ethanol.

Max. Occ. = Maximum Occurrence, St = Status, \* = Restricted Codes

Status: M=Mandatory, R=Required, O=Optional, D=Dependent, A=Advised, N=Not used



**Segment Layout**

No.	Seg	St	Max. Occ.				
30	<b>SG25</b>	R	9999	CNI-SG32-SG38-SG43-SG50-SG70			
	<b>SG50</b>	R	999	GID-SG55-SG65			
	<b>SG65</b>	O	1	DGS-FTX-SG67			
	<b>FTX</b>	O	1	Free text To provide free form or coded text information.			
Business Term		DE	EDIFACT	Format	St	*	Description
		4451	Text subject code qualifier	an..3	M	*	SAF <b>Safety information</b>
		4453	Free text function code	an..3	O	*	1 <b>Text for subsequent use</b>
		C107	Text reference		R		
	<b>Hazardous to the environment (Yes/No)</b>	4441	Free text value code	an..17	M		Y <b>Yes</b> N <b>No</b>
		1131	Code list identification code	an..17	N		
		3055	Code list responsible agency code	an..3	O		246 GS1 Germany
<p>Segmentstatus: Optional            Additional required information on the dangerous goods is made in this segment.            Use of this segment in free form is not recommended since it may inhibit automatic processing of the Transport Instruction. Coded references to standard texts is an available functionality which enables automatic processing and reduces transmission overheads. Standard texts should be mutually defined between trading partners and can be used to cover legal or other requirements.</p> <p>Example: <b>FTX+SAF+1+Y: :246'</b>            The dangerous goods are classified as environmentally hazardous.</p>							

Max. Occ. = Maximum Occurrence, St = Status, \* = Restricted Codes  
 Status: M=Mandatory, R=Required, O=Optional, D=Dependent, A=Advised, N=Not used

**Segment Layout**

No. Seg	St	Max. Occ.			
<b>SG25</b>	R	9999	CNI-SG32-SG38-SG43-SG50-SG70		
<b>SG50</b>	R	999	GID-SG55-SG65		
<b>SG65</b>	O	1	DGS-FTX-SG67		
31 <b>FTX</b>	O	1	Free text		
To provide free form or coded text information.					
Business Term	DE	EDIFACT	Format	St	* Description
	4451	Text subject code qualifier	an..3	M	* SIN <b>Special instructions</b>
	4453	Free text function code	an..3	O	* 1 <b>Text for subsequent use</b>
	C107	Text reference		D	
<b>Dangerous goods type (code)</b>	4441	Free text value code	an..17	M	EQ <b>Excepted Quantities</b> LQ <b>Limited Quantities</b> SV <b>Special provision</b>
	1131	Code list identification code	an..17	N	
	3055	Code list responsible agency code	an..3	O	246 GS1 Germany
	C108	Text literal		D	
<b>Dangerous goods type (free text)</b>	4440	Free text value	an..512	M	see segment description
	4440	Free text value	an..512	O	
	4440	Free text value	an..512	O	
	4440	Free text value	an..512	O	
	4440	Free text value	an..512	O	
	3453	Language name code	an..3	D	DE German ISO 639 2-Alpha Code
<p>Segmentstatus: Optional            Additional required information on the dangerous goods is made in this segment.            Use of this segment in free form is not recommended since it may inhibit automatic processing of the Transport Instruction. Coded references to standard texts is an available functionality which enables automatic processing and reduces transmission overheads. Standard texts should be mutually defined between trading partners and can be used to cover legal or other requirements.            Notes:            DEG C107: This composite is only used when trading partners have agreed to use mutually defined code values.            DEG C108: This composite is only used if coded text can not be used. DE 4440 has to be used if DEG C108 is used.            DE 4440: If the code value SV is specified in DE 4441, the dangerous goods type must be specified here as a free text. Example: SV188 LITHIUM IONES.            This data element is only used if C108 contains uncoded text in the composite.</p> <p>Example: FTX+SIN+1+LQ+:::X+DE'</p>					

Max. Occ. = Maximum Occurrence, St = Status, \* = Restricted Codes  
 Status: M=Mandatory, R=Required, O=Optional, D=Dependent, A=Advised, N=Not used

## Segment Layout

---

The dangerous goods belong to the LQ dangerous goods.
---

**Segment Layout**

No. Seg	St	Max. Occ.				
<b>SG25</b>	R	9999	CNI-SG32-SG38-SG43-SG50-SG70			
<b>SG50</b>	R	999	GID-SG55-SG65			
<b>SG65</b>	O	1	DGS-FTX-SG67			
32 <b>FTX</b>	D	1	Free text			
To provide free form or coded text information.						
Business Term	DE	EDIFACT	Format	St	*	Description
	4451	Text subject code qualifier	an..3	M	*	PAC <b>Packing/marketing information</b>
	4453	Free text function code	an..3	O	*	1 <b>Text for subsequent use</b>
	C107	Text reference		D		
	4441	Free text value code	an..17	M		Bilaterally agreed code for indication of dangerous goods packaging.
	1131	Code list identification code	an..17	O		
	3055	Code list responsible agency code	an..3	O		91 Assigned by supplier or supplier's agent
	C108	Text literal		D		
<b>Packaging Type</b>	4440	Free text value	an..512	M		
<b>Packaging type in plain text</b>	4440	Free text value	an..512	O		
<b>Number of packages</b>	4440	Free text value	an..512	R		
	4440	Free text value	an..512	O		
	4440	Free text value	an..512	O		
	3453	Language name code	an..3	D		DE German ISO 639 2-Alpha Code

Segmentstatus: Depending  
Mandatory if as EQ dangerous good declared.  
Additional required information on the dangerous goods is made in this segment.  
Use of this segment in free form is not recommended since it may inhibit automatic processing of the Transport Instruction. Coded references to standard texts is an available functionality which enables automatic processing and reduces transmission overheads. Standard texts should be mutually defined between trading partners and can be used to cover legal or other requirements.  
Notes:  
DEG C107: This composite is only used when trading partners have agreed to use mutually defined code values.  
DEG C108: This composite is only used if coded text can not be used. DE 4440 has to be used if DEG C108 is used.  
This data element is only used if C108 contains uncoded text in the composite.

Example: **FTX+PAC+1++4G:Kiste aus Pappe:5+DE'**  
The dangerous goods are placed in 5 boxes of cardboard (code: 4G).

Max. Occ. = Maximum Occurrence, St = Status, \* = Restricted Codes  
Status: M=Mandatory, R=Required, O=Optional, D=Dependent, A=Advised, N=Not used

## Segment Layout

No. Seg	St	Max. Occ.				
<b>SG25</b>	R	9999	CNI-SG32-SG38-SG43-SG50-SG70			
<b>SG50</b>	R	999	GID-SG55-SG65			
<b>SG65</b>	O	1	DGS-FTX-SG67			
<b>FTX</b>	O	1	Free text			
33			To provide free form or coded text information.			
Business Term	DE	EDIFACT	Format	St	*	Description
	4451	Text subject code qualifier	an..3	M	*	AAC Dangerous goods additional information
	4453	Free text function code	an..3	O	*	1 Text for subsequent use
	C107	Text reference		D		
	4441	Free text value code	an..17	M		Bilaterally agreed code for indication of dangerous goods packaging.
	1131	Code list identification code	an..17	O		
	3055	Code list responsible agency code	an..3	O		91 Assigned by supplier or supplier's agent
	C108	Text literal		D		
Transport category	4440	Free text value	an..512	M		
	4440	Free text value	an..512	O		
	4440	Free text value	an..512	O		
	4440	Free text value	an..512	O		
	4440	Free text value	an..512	O		
	3453	Language name code	an..3	D		DE German ISO 639 2-Alpha Code
<p>Segmentstatus: Optional</p> <p>Additional required information on the dangerous goods is made in this segment. Use of this segment in free form is not recommended since it may inhibit automatic processing of the Transport Instruction. Coded references to standard texts is an available functionality which enables automatic processing and reduces transmission overheads. Standard texts should be mutually defined between trading partners and can be used to cover legal or other requirements.</p> <p>Notes:</p> <p>DEG C107: This composite is only used when trading partners have agreed to use mutually defined code values.</p> <p>DEG C108: This composite is only used if coded text can not be used. DE 4440 has to be used if DEG C108 is used.</p> <p>This data element is only used if C108 contains uncoded text in the composite.</p> <p>Example: FTX+AAC+1+++1+DE'</p> <p>The dangerous goods belong to transport category 1.</p>						

Max. Occ. = Maximum Occurrence, St = Status, \* = Restricted Codes  
 Status: M=Mandatory, R=Required, O=Optional, D=Dependent, A=Advised, N=Not used

## Segment Layout

No.	Seg	St	Max. Occ.				
34	<b>SG25</b>	R	9999	CNI-SG32-SG38-SG43-SG50-SG70			
	<b>SG50</b>	R	999	GID-SG55-SG65			
	<b>SG65</b>	O	1	DGS-FTX-SG67			
	<b>FTX</b>	O	1	Free text To provide free form or coded text information.			
Business Term		DE	EDIFACT	Format	St	*	Description
		4451	Text subject code qualifier	an..3	M	*	ACB <b>Additional information</b>
		4453	Free text function code	an..3	O	*	1 <b>Text for subsequent use</b>
		C107	Text reference		D		
		4441	Free text value code	an..17	M		Bilaterally agreed code for indication of dangerous goods packaging.
		1131	Code list identification code	an..17	O		
		3055	Code list responsible agency code	an..3	O		91 Assigned by supplier or supplier's agent
		C108	Text literal		D		
	<b>Tunnel restriction code</b>	4440	Free text value	an..512	M		Classification according ADR/RID rules
<p>Segmentstatus: Optional</p> <p>Additional required information on the dangerous goods is made in this segment. Use of this segment in free form is not recommended since it may inhibit automatic processing of the Transport Instruction. Coded references to standard texts is an available functionality which enables automatic processing and reduces transmission overheads. Standard texts should be mutually defined between trading partners and can be used to cover legal or other requirements.</p> <p>Notes:</p> <p>DEG C107: This composite is only used when trading partners have agreed to use mutually defined code values.</p> <p>DEG C108: This composite is only used if coded text can not be used. DE 4440 has to be used if DEG C108 is used.</p> <p>This data element is only used if C108 contains uncoded text in the composite.</p> <p>Example: <b>FTX+ACB+1+1B2+B1000C'</b> The dangerous goods are transported has the tunnel code B1000C.</p>							

Max. Occ. = Maximum Occurrence, St = Status, \* = Restricted Codes  
 Status: M=Mandatory, R=Required, O=Optional, D=Dependent, A=Advised, N=Not used

## Segment Layout

No. Seg	St	Max. Occ.			
<b>SG25</b>	R	9999	CNI-SG32-SG38-SG43-SG50-SG70		
<b>SG50</b>	R	999	GID-SG55-SG65		
<b>SG65</b>	O	1	DGS-FTX-SG67		
<b>FTX</b>	O	1	Free text		
35	To provide free form or coded text information.				
Business Term	DE	EDIFACT	Format	St	* Description
	4451	Text subject code qualifier	an..3	M	* OSI <b>Other service information</b>
	4453	Free text function code	an..3	O	* 1 <b>Text for subsequent use</b>
	C107	Text reference		D	
	4441	Free text value code	an..17	M	Bilaterally agreed code for indication of dangerous goods packaging.
	1131	Code list identification code	an..17	O	
	3055	Code list responsible agency code	an..3	O	91 Assigned by supplier or supplier's agent
	C108	Text literal		D	
<b>Other service information</b>	4440	Free text value	an..512	M	
	4440	Free text value	an..512	O	
	4440	Free text value	an..512	O	
	4440	Free text value	an..512	O	
	4440	Free text value	an..512	O	
	3453	Language name code	an..3	D	DE German ISO 639 2-Alpha Code

Segmentstatus: Optional  
 Additional required information on the dangerous goods is made in this segment.  
 Use of this segment in free form is not recommended since it may inhibit automatic processing of the Transport Instruction. Coded references to standard texts is an available functionality which enables automatic processing and reduces transmission overheads. Standard texts should be mutually defined between trading partners and can be used to cover legal or other requirements.  
 Notes:  
 DEG C107: This composite is only used when trading partners have agreed to use mutually defined code values.  
 DEG C108: This composite is only used if coded text can not be used. DE 4440 has to be used if DEG C108 is used.  
 This data element is only used if C108 contains uncoded text in the composite.

Example: FTX+OSI+1+1B2+Aluminium-Fass mit abnehmbarem Deckel+DE'  
 The dangerous goods are transported in an aluminum drum with a removable cover.

Max. Occ. = Maximum Occurrence, St = Status, \* = Restricted Codes  
 Status: M=Mandatory, R=Required, O=Optional, D=Dependent, A=Advised, N=Not used

## Segment Layout

No. Seg	St	Max. Occ.				
<b>SG25</b>	R	9999	CNI-SG32-SG38-SG43-SG50-SG70			
<b>SG50</b>	R	999	GID-SG55-SG65			
<b>SG65</b>	O	1	DGS-FTX-SG67			
<b>SG67</b>	O	9	MEA			
36 <b>MEA</b>	M	1	Measurements			
To specify physical measurements, including dimension tolerances, weights and counts.						
Business Term	DE	EDIFACT	Format	St	*	Description
	6311	Measurement purpose code qualifier	an..3	M	*	AAE Maßangabe
	C502	Measurement details		A		
	6313	Measured attribute code	an..3	A		AAL Net weight ABJ Volume AFN Net explosive mass
	C174	Value/range		O		
	6411	Measurement unit code	an..3	M		KGM kilogram MTQ cubic metre
<b>Dangerous goods weight</b>	6314	Measurement value	an..18	O		
Segmentstatus: Optional This segment is used for measuring the dangerous goods of the consignment item.  Example: <b>MEA+AAE+AAL+KGM:100'</b> Das Gefahrgut wiegt 100 Kilogramm. The dangerous goods weight is 100 kilogram.						

Max. Occ. = Maximum Occurrence, St = Status, \* = Restricted Codes  
 Status: M=Mandatory, R=Required, O=Optional, D=Dependent, A=Advised, N=Not used



## Segment Layout

No. Seg	St	Max. Occ.				
37	<b>SG25</b>	R 9999	CNI-SG32-SG38-SG43-SG50-SG70			
	<b>SG70</b>	O 999	EQD-EQN			
	<b>EQD</b>	M 1	Equipment details To identify a unit of equipment.			
Business Term	DE	EDIFACT	Format	St	*	Description
Loading aids	8053	Equipment type code qualifier	an..3	M		EFP Exchangeable EUR flat pallet
	C237	Equipment identification		R		
Loading vessel ID	8260	Equipment identifier	an..17	O		
Segmentstatus: Dependent This segment contains information on the loading aids used to transport. Example: EQD+EFP+1234 ' The loading aid is a replaceable EUR-flat pallet with the loading vessel ID 1234.						

Max. Occ. = Maximum Occurrence, St = Status, \* = Restricted Codes  
 Status: M=Mandatory, R=Required, O=Optional, D=Dependent, A=Advised, N=Not used

## Segment Layout

No.	Seg	St	Max.	Occ.			
38	<b>SG25</b>	R	9999		CNI-SG32-SG38-SG43-SG50-SG70		
	<b>SG70</b>	O	999		EQD-EQN		
	<b>EQN</b>	D	1		Number of units To specify the number of units.		
Business Term		DE	EDIFACT	Format	St	*	Description
		C523	Number of unit details		M		
<b>Number of loading aids</b>		6350	Units quantity	n..15	R		
<p>Segmentstatus: Dependent                      This segment contains information on the loading aids used to transport.</p> <p>Example: EQN+9'                      Es werden neun Ladehilfsmittel transportiert.                      Nine loading aids are transported.</p>							

Max. Occ. = Maximum Occurrence, St = Status, \* = Restricted Codes  
 Status: M=Mandatory, R=Required, O=Optional, D=Dependent, A=Advised, N=Not used

## Segment Layout

No. Seg	St	Max. Occ.				
39	<b>UNT</b>	M 1	Message trailer To end and check the completeness of a message.			
Business Term	DE	EDIFACT	Format	St	*	Description
Total number of segments	0074	Number of segments in the message	n..6	M		
	0062	Message reference number	an..14	M		The reference number from the UNH segment must be repeated here.
<p>Segmentstatus: Mandatory                      This UNT segment is a mandatory UN/EDIFACT segment. It must always be the last segment in the message.</p> <p>Example: UNT+37+ME000001'                      The message contains 37 segments.</p>						

Max. Occ. = Maximum Occurrence, St = Status, \* = Restricted Codes  
 Status: M=Mandatory, R=Required, O=Optional, D=Dependent, A=Advised, N=Not used

## Segment Layout

No. Seg	St	Max. Occ.				
40	<b>UNZ</b>	M 1	Interchange trailer To end and check the completeness of an interchange.			
Business Term	DE	EDIFACT	Format	St	*	Description
End of the transmission file Number of messages or message groups	0036	Interchange control count	n..6	M		Number of messages or message groups in the transmission file.
Interchange control reference, end	0020	Interchange control reference	an..14	M		Interchange control reference, identical with UNB DE 0020.
<p>Segmentstatus: Mandatory                      The UNZ segment is the last segment of the transmission file.                      Note DE 0036:                      If functional groups are not used, this is the number of messages within the interchange.</p> <p>Example: UNZ+1+4711'                      The transmission file contains 1 message.</p>						

Max. Occ. = Maximum Occurrence, St = Status, \* = Restricted Codes  
 Status: M=Mandatory, R=Required, O=Optional, D=Dependent, A=Advised, N=Not used

## Used Codes

---

<b>0001</b>	Syntax identifier Coded identification of the agency controlling a syntax and syntax level used in an interchange.  Notes: 1. a3, upper case, Controlling Agency (e.g. UNO=UN/ECE) and a1 stating level (e.g. A) (which together give UNOA).
UNOA	UN/ECE level A As defined in the basic code table of ISO 646 with the exceptions of lower case letters, alternative graphic character allocations and national or application-oriented graphic character allocations.
UNOB	UN/ECE level B As defined in the basic code table of ISO 646 with the exceptions of alternative graphic character allocations and national or application-oriented graphic character allocations.
UNOC	UN/ECE level C As defined in ISO 8859-1 : Information processing - Part 1: Latin alphabet No. 1.
UNOD	UN/ECE level D As defined in ISO 8859-2 : Information processing - Part 2: Latin alphabet No. 2.
UNOE	UN/ECE level E As defined in ISO 8859-5 : Information processing - Part 5: Latin/Cyrillic alphabet.
UNOF	UN/ECE level F As defined in ISO 8859-7 : Information processing - Part 7: Latin/Greek alphabet.
UNOG	UN/ECE level G As defined in ISO 8859-3 : Information processing - Part 3: Latin alphabet.
UNOH	UN/ECE level H As defined in ISO 8859-4 : Information processing - Part 4: Latin alphabet.
UNOI	UN/ECE level I As defined in ISO 8859-6 : Information processing - Part 6: Latin/Arabic alphabet.
UNOJ	UN/ECE level J As defined in ISO 8859-8 : Information processing - Part 8: Latin/Hebrew alphabet.
UNOK	UN/ECE level K As defined in ISO 8859-9 : Information processing - Part 9: Latin alphabet.

**Used Codes**

UNOW	UN/ECE level W ISO 10646-1 octet with code extension technique to support UTF-8 (UCS Transformation Format, 8 bit) encoding.
UNOX	UN/ECE level X Code extension technique as defined by ISO 2022 utilising the escape techniques in accordance with ISO 2375.
UNOY	UN/ECE level Y ISO 10646-1 octet without code extension technique.
<b>0002</b>	Syntax version number Version number of the syntax identified in the syntax identifier (0001)  Notes: 1. Increments 1 for each version.
3	Version 3 ISO 9735 Amendment 1:1992. GS1 Description: Syntax version number 3. This code can be used with all of the character sets (A, B, C, D, E and F).
<b>0007</b>	Partner identification code qualifier Qualifier referring to the source of codes for the identifiers of interchanging partners.  Notes: 1. Used with sender/recipient identification code.
14	GS1 Partner identification code assigned by GS1, an international organization of GS1 Member Organizations that manages the GS1 System.
<b>0025</b>	Recipient's reference/password qualifier Qualifier for the recipient's reference or password.  Notes: 1. If specified in IA.
AA	Reference Recipient's reference/password is a reference.
BB	Password Recipient's reference/password is a password.

## Used Codes

---

<b>0029</b>	<p>Processing priority code</p> <p>Code determined by the sender requesting processing priority for the interchange.</p> <p>Notes:</p> <p>1. Used if specified in IA.</p>
A	<p>Highest priority</p> <p>Requested processing priority is the highest.</p>
<b>0031</b>	<p>Acknowledgement request</p> <p>Code determined by the sender for acknowledgement of the interchange.</p> <p>Notes:</p> <p>1. Set = 1 if sender requests acknowledgement, i.e. UNB and UNZ segments received and identified.</p>
1	<p>Requested</p> <p>Acknowledgement is requested.</p>
<b>0035</b>	<p>Test indicator</p> <p>Indication that the interchange is a test.</p> <p>Notes:</p> <p>1. Set = 1 if the interchange is a test. Otherwise not used.</p>
1	<p>Interchange is a test</p> <p>Indicates that the interchange is a test.</p>
<b>0051</b>	<p>Controlling agency</p> <p>Code to identify the agency controlling the specification, maintenance and publication of the message type.</p>
UN	<p>UN/CEFACT</p> <p>United Nations Centre for Trade Facilitation and Electronic Business (UN/CEFACT).</p> <p>GS1 Description:</p> <p>UN Economic Commission for Europe (UN/ECE), Committee on the development of trade (TRADE), Working Party on facilitation of international trade procedures (WP.4).</p>
<b>0052</b>	<p>Message version number</p> <p>Version number of a message type.</p> <p>Notes:</p> <p>1. If UNG/UNE is used, shall be identical in UNG and UNE.</p> <p>The representation of 0052 was specified as n..3 in version 1 of ISO 9735.</p>

## Used Codes

---

D	Draft version/UN/EDIFACT Directory Message approved and issued as a draft message (Valid for directories published after March 1993 and prior to March 1997). Message approved as a standard message (Valid for directories published after March 1997).
<b>0054</b>	Message release number Release number within the current message type version number (0052).  Notes: 1. The representation of 0054 was specified as n..3 in version 1 of ISO 9735.
01B	Release 2001 - B Message approved and issued in the second 2001 release of the UNTDID (United Nations Trade Data Interchange Directory).
<b>0057</b>	Association assigned code A code assigned by the association responsible for the design and maintenance of the message type concerned, which further identifies the message.
EAN003	GS1 version control number (GS1 Permanent Code)
<b>0065</b>	Message type Code identifying a type of message and assigned by its controlling agency.  Notes: 1. Type of message being transmitted.
IFCSUM	Forwarding and consolidation summary message A code to identify the forwarding and consolidation summary message. GS1 Description: Message used for consolidation purposes from a party arranging forwarding and transport services to the party for which the transport of the consolidated cargo is destined. The message can be used to exchange information concerning the consolidated cargo between forwarders, carriers and agents enabling those parties to handle the consignments included in the consolidation. In addition it can be used for a collection of consignments originating from one shipper for forwarding and transport services.
<b>1001</b>	Document name code Code specifying the document name.
781	Arrival notice (goods) Notification from the carrier to the consignee in writing, by telephone or by any other means (express letter, message, telegram, etc.) informing him that a consignment addressed to him is being or will shortly be held at his disposal at a specified point in the place of destination.



**Used Codes**

---

<b>1131</b>	Code list identification code Code identifying a user or association maintained code list.
	Notes: 1. The codes for this data element are provided by the code list responsible agency defined in data element 3055.
23	Clearing house automated payment Self explanatory.
	Notes: This code value will be removed effective with directory D.04A. GS1 Description: Banking community' automated payment clearing system.
25	Bank identification Code for identification of banks.
	Notes: This code value will be removed effective with directory D.04A.
106	Incoterms 1980 (4110) Code to indicate applicable Incoterm (1980 edition) under which seller undertakes to deliver merchandise to buyer (ICC). Incoterms 1990: use 4053 only.
	Notes: This code value will be removed effective with directory D.04A.
132	Charge Identification of a type of charge.
	Notes: This code value will be removed effective with directory D.04A.
154	Bank branch sorting identification Identification of a specific branch of a bank.
	Notes: This code value will be removed effective with directory D.04A.
157	Clearing code Identification of the responsible bank/clearing house which has cleared or is ordered to do the clearing.
	Notes: This code value will be removed effective with directory D.04A.
166	Social security identification Code assigned by the authority competent to issue social security identification to identify a person.
	Notes: This code value will be removed effective with directory D.04A.

**Used Codes**

174	Citizen identification Self explanatory.
	Notes: This code value will be removed effective with directory D.04A. GS1 Description: Code issued by national authority competent to issue citizen identification to identify a person.
1E	Incoterms 1990 (GS1 Temporary Code) Incoterms 1990 as published by the International Chamber of Commerce (ICC).
2E	Incoterms 2000 (GS1 Temporary Code) Incoterms 2000 as published by the International Chamber of Commerce (ICC).
3E	Incoterms 2010 (GS1 Temporary Code) Incoterms 2010 as published by the International Chamber of Commerce (ICC).
ADR	Accord Europeen au transport international dangereuses (GS1 Temporary Code) A European agreement concerning the international carriage of dangerous goods by road.
BR	Brand (GS1 Temporary Code) An identifying mark or label on the products of a particular company, or the kind or make of a commodity.
CA	Category (GS1 Temporary Code) A class or division in a scheme of classification.
CO	Colour (GS1 Temporary Code) Description of the colour required/available on the goods.
FL	Flavor (GS1 Temporary Code) The characteristic quality of goods.
HMT	Hazardous material standard text (GS1 Temporary Code) Code indicating agreed standard text on hazardous materials.
LOC	Location Code (GS1 Temporary Code) This is a code to indicate where the EAS tag is located on the Trade Item. Values include On outside of Trade Item, Concealed inside Trade Item, Integrated Inside Trade Item.
OAG	Organic Claim Agency (GS1 Temporary Code) A governing body that creates and maintain standards related to organic products.
OCO	Organic Trade Item Code (GS1 Temporary Code) Used to indicate the organic status of a trade item or of one or more of its components.

**Used Codes**

OUM	Ordering unit of measure (GS1 Temporary Code) The alternate Unit of Measure of how Trade Items are ordered by the Retailer under one Unit of Measure, but sold under another Unit of Measure.
SRN	Service relation number (GS1 Temporary Code) A number used to identify a database entry which records recurring services, e.g., treatment of a patient in a hospital, usage by a member of a library facilities, etc.
ST	Style (GS1 Temporary Code) Specific or characteristic design in any goods.
SUM	Selling unit of measure (GS1 Temporary Code) Describes the measurement used for selling unit of the Trade Item to the end consumer.
SZ	Size (GS1 Temporary Code) Any of a series of graded classifications of measure into which goods are divided.
SZG	Size Group (GS1 Temporary Code) A description of the variable size that is necessary to uniquely specify the size of the item in conjunction with the nonpackaged size dimension.
TYP	Type Code (GS1 Temporary Code) This is a code to indicate the type of EAS tag located on the Trade Item. Values include Acousto-Magnetic, Electro-Magnetic, Ink or dye, Microwave, Radio Frequency.
X11	Diet Allergen (GS1 Temporary Code) Indication of which dietary or allergen marks that are on the package.
X12	Environment (GS1 Temporary Code) Indication of which environmental marks (e.g. recycling schemes) that are on trade item package.
X13	Ethical (GS1 Temporary Code) Indication of which ethical trading marks that are on the package.
X14	Free Form (GS1 Temporary Code) Indication of which free-from marks that are on the package.
X15	Expiration date (GS1 Temporary Code) Indicates the type of expiration date marked on the packaging.
X16	Nesting Direction (GS1 Temporary Code) Depicts the arrangement of two items that nest together specifically whether they nest against each other or on top of each other.
X17	Package Marks Hygienic (GS1 Temporary Code) Indication of which hygiene markings are present in the product package

## Used Codes

---

X18	<p>Hazardous Components are Removable (GS1 Temporary Code)</p> <p>An indicator if any hazardous components contained within the trade item can easily be separated from the other materials to facilitate product recycling.</p>
X19	<p>Trade Item Has Refuse Obligations (GS1 Temporary Code)</p> <p>Indicates if there are special disposal obligations that apply to the trade item for example INTRASTAT.</p>
X20	<p>Trade Item Is Designed for Easy Disassembly (GS1 Temporary Code)</p> <p>Indicates that the trade item is designed for easy disassembly by recycling facilities using standard industry tools.</p>
X21	<p>Trade Item Is Rigid Plastic Packaging Container (GS1 Temporary Code)</p> <p>Indicates that a product is or is contained in a Rigid Plastic Packaging Container (RPPC) as defined by laws in the target market.</p>
X22	<p>Trade Item Is ROHS Compliant (GS1 Temporary Code)</p> <p>Indicates if the product is compliant with the European Union RoHS Directive.</p>
X23	<p>Trade Item Is Universal Waste (GS1 Temporary Code)</p> <p>Indicates if a product can be considered universal waste.</p>
X24	<p>Trade Item Is Consumer Upgradeable Or Maintainable (GS1 Temporary Code)</p> <p>Indicates if a product can be easily upgraded or have parts replaced by the consumer.</p>
X25	<p>Trade Item Contains Short Chain Chlorinated Paraffins (GS1 Temporary Code)</p> <p>Indicate if the trade item and/or its components contain paints, coatings, plastics or other materials containing short chain chlorinated paraffins (SCCPs).</p>
X26	<p>Trade Item Contains Pesticide (GS1 Temporary Code)</p> <p>Indicates if the trade item is advertised or labelled as a chemical or contains a chemical that is advertised or labelled to kill, repel or prevent the growth of any living organism.</p>
X27	<p>Trade Item Contains Propellant (GS1 Temporary Code)</p> <p>Indicates if a trade item contains a compressed gas or propellant.</p>
X28	<p>Trade Item Contains Polyvinyl Chloride (GS1 Temporary Code)</p> <p>Indicate if product contains Polyvinyl Chloride (PVC), a widely used thermoplastic polymer.</p>
X29	<p>Trade Item Chemical Is Not Intended For Human Consumption (GS1 Temporary Code)</p> <p>Indicates that the trade item is or contains a Liquid, Gel, Paste, Powder, or Flammable solid not intended for human consumption (ingested).</p>
X30	<p>ROHS Compliance Failure Material (GS1 Temporary Code)</p> <p>The material used in the trade item that does not comply with the ROHS Directives</p>

**Used Codes**

X31	Packaging Terms And Condition (GS1 Temporary Code) Indicates if the packaging given in the described packaging configuration is a rented, exchangeable, against deposit or one way/not reusable.
X32	Warranty Effective Date Type (GS1 Temporary Code) The type of date associated with the warranty trade item usually expressed as an event date for the item for example date of purchase, date of manufacture or date of delivery.
X33	Warranty Type (GS1 Temporary Code)
X35	Warranty Constraint (GS1 Temporary Code)
X36	Seasonal Availability End Date (GS1 Temporary Code) Indicates the end date of the trade item's seasonal availability.
X37	Seasonal Availability Start Date (GS1 Temporary Code) Indicates the start date of the trade item's seasonal availability.
X38	Season Calendar Year (GS1 Temporary Code) This element indicates the calendar year in which the trade item is seasonally available.
X39	Season Parameter (GS1 Temporary Code) Indication of the season, in which the trade item is available.
X40	Trade Item Automatic Power Down is Enabled (GS1 Temporary Code) An indicator whether a product is enabled with auto power down feature when shipped to the customer.
X41	Electrical Usage Agency Code (GS1 Temporary Code) The agency that regulates electrical usage for products within a target market.
X42	Nesting Type (GS1 Temporary Code) Depicts whether a nested item fits inside or over the other item in a nesting relationship.
X43	Display Dimension Type Code (GS1 Temporary Code) Depicts certain display scenarios used for measurement.
X44	Manufacturer Has Take Back Program (GS1 Temporary Code) Indicates if the manufacturer of the trade item offers any take back programs to consumers for the product to be reused, remanufactured or recycled by the manufacturer.
X45	Display Resolution (GS1 Temporary Code) The display resolution of a television or computer display.
X46	Orientation Preference Sequence (GS1 Temporary Code) Depicts the preferred sequence of orientation used to communicate the manufacturers relative preferences of orientation.
X47	Orientation Type (GS1 Temporary Code) Depicts via code a display orientation for a trade item.

**Used Codes**

X48	Electrical Usage Trade Item Classification Code (GS1 Temporary Code) A classification code value from a product classification scheme provided to drive required information for electrical usage.
X49	Electrical Usage Trade Item Classification Name (GS1 Temporary Code) A classification name from a product classification scheme provided to drive required information for electrical usage.
X50	Electrical Usage SubClassification Code (GS1 Temporary Code) A sub-classification code value from a product classification scheme provided to drive required information for electrical usage.
X51	Electrical Usage SubClassification Name (GS1 Temporary Code) A sub-classification name provided to drive required information for electrical usage.
X52	Confirmation Status Code (GS1 Temporary Code) The CIC Confirmation Code must be of a type of code number that can be generated automatically by a computer system.
X53	Confirmation Status Code Description (GS1 Temporary Code) Provides the code description that matches up with the Code that can possibly be generated automatically by a computer system.
X54	Additional Confirmation Status Description (GS1 Temporary Code) Provides a way to communicate human entered information that may not be covered by the machine to machine codes and descriptions.
X55	Corrective Action (GS1 Temporary Code) Provides the corrective action code to fix the issue that caused the problem.
X56	Expected Corrective Information (GS1 Temporary Code) Provides the expected corrective information via a human entered information that may not be covered by the machine to machine codes.
X57	Electrical Usage Trade Item Classification Agency (GS1 Temporary Code) A classification agency or organisation whose product classification scheme is being provided to drive required information for electrical usage.
X58	ASFIS (GS1 Permanent Code) FAO alph-3 code list for fish species identification, commercial name & scientific name.
X59	FAO fishing areas (GS1 Permanent Code) FAO fishing areas codelist.
X60	FAO Fishing gear type (GS1 Permanent Code) FAO Fishing gear type codelist.
X61	EU fish quality (GS1 Permanent Code) EU fish quality grade code list (E, A, B, C).
X62	EU fish size (GS1 Permanent Code) EU fish standardized size code list (1, 2, 3, 4, 5 & One_Size).

**Used Codes**

X63	EU fish presentation (GS1 Permanent Code) EU fish presentation code list (3 or 5 char alpha code).
ZZZ	Mutually defined Self explanatory.  Notes: This code value will be removed effective with directory D.04A.
<b>1153</b>	Reference code qualifier Code qualifying a reference.
DQ	Delivery note number Reference number assigned by the issuer to a delivery note.
GN	Government reference number A number that identifies a government reference. GS1 Description: This code value should not be used to provide the tax identification number for a party (use code VA).
<b>1225</b>	Message function code Code indicating the function of the message.
1	Cancellation Message cancelling a previous transmission for a given transaction.
2	Addition Message containing items to be added. GS1 Description: Message containing items (e.g. line items, goods items, customs items, equipment items) to be added to a previously sent message or existing data base.
3	Deletion Message containing items to be deleted. GS1 Description: Message containing items (e.g. line items, goods items, customs items, equipment items) to be deleted in a previously sent message or an existing data base.
4	Change Message containing items to be changed. GS1 Description: Message containing items (e.g. line items, goods items, customs items, equipment items) to be changed in a previously sent message or an existing data base.
5	Replace Message replacing a previous message.

**Used Codes**

6	Confirmation Message confirming the details of a previous transmission where such confirmation is required or recommended under the terms of a trading partner agreement.
7	Duplicate The message is a duplicate of a previously generated message.
9	Original Initial transmission related to a given transaction.
11	Response Message responding to a previous message or document.
12	Not processed Message indicating that the referenced message was received but not yet processed.
13	Request Code indicating that the referenced message is a request.
15	Reminder Repeated message transmission for reminding purposes.
16	Proposal Message content is a proposal.
17	Cancel, to be reissued Referenced transaction cancelled, reissued message will follow.
23	Transaction on hold Message not to be processed until further release information.
27	Not accepted Message to inform that the referenced message is not accepted by the recipient.
29	Accepted without amendment Referenced message is entirely accepted.
31	Copy Indicates that the message is a copy of an original message that has been sent, e.g. for action or information.
34	Accepted with amendment The referenced message is accepted but amended.
35	Retransmission Change-free transmission of a message previously sent.
42	Confirmation via specific means Message confirming a transaction previously agreed via other means (e.g. phone).



**Used Codes**

43	Additional transmission Message already transmitted via another communication channel. This transmission is to provide electronically processable data only.
45	Accepted with reserves Message accepted with reserves.
46	Provisional Message content is provisional.
47	Definitive Message content is definitive.
55	Notification only The receiver may use the notification information for analysis only.
60	No action since last message Code indicating the fact that no action has taken place since the last message.
<b>2005</b>	Date or time or period function code qualifier Code qualifying the function of a date, time or period.
132	Arrival date/time, estimated (2348) Date/time when carrier estimates that a means of transport should arrive at the port of discharge or place of destination.
137	Document/message date/time (2006) Date/time when a document/message is issued. This may include authentication.
<b>2379</b>	Date or time or period format code Code specifying the representation of a date, time or period.
2	DDMMYY Calendar date: D = Day; M = Month; Y = Year.
101	YYMMDD Calendar date: Y = Year; M = Month; D = Day.
102	CCYYMMDD Calendar date: C = Century ; Y = Year ; M = Month ; D = Day.
104	MMWW-MMWW A period of time specified by giving the start week of a month followed by the end week of a month. Data is to be transmitted as consecutive characters without hyphen.
107	DDD Day's number within a specific year: D = Day.
108	WW Week's number within a specific year: W = Week.

**Used Codes**

109	MM Month's number within a specific year: M = Month.
110	DD Day's number within is a specific month.
201	YYMMDDHHMM Calendar date including time without seconds: Y = Year; M = Month; D = Day; H = Hour; M = Minute.
203	CCYYMMDDHHMM Calendar date including time with minutes: C=Century; Y=Year; M=Month; D=Day; H=Hour; M=Minutes.
204	CCYYMMDDHHMMSS Calendar date including time with seconds: C=Century;Y=Year; M=Month; D=Day;H=Hour;M=Minute;S=Second.
401	HHMM Time without seconds: H = Hour; m = Minute.
501	HHMMHHMM Time span without seconds: H = Hour; m = Minute;.
502	HHMMSS-HHMMSS Format of period to be given without hyphen.
602	CCYY Calendar year including century: C = Century; Y = Year.
609	YYMM Month within a calendar year: Y = Year; M = Month.
610	CCYYMM Month within a calendar year: CC = Century; Y = Year; M = Month.
615	YYWW Week within a calendar year: Y = Year; W = Week 1st week of January = week 01.
616	CCYYWW Week within a calendar year: CC = Century; Y = Year; W = Week (1st week of January = week 01).
713	YYMMDDHHMM-YYMMDDHHMM Format of period to be given in actual message without hyphen.
715	YYWW-YYWW A period of time specified by giving the start week of a year followed by the end week of year (both not including century). Data is to be transmitted as consecutive characters without hyphen.
717	YYMMDD-YYMMDD Format of period to be given in actual message without hyphen.

**Used Codes**

718	CCYYMMDD-CCYYMMDD Format of period to be given without hyphen.
719	CCYYMMDDHHMM-CCYYMMDDHHMM A period of time which includes the century, year, month, day, hour and minute. Format of period to be given in actual message without hyphen.
720	DHHMM-DHHMM Format of period to be given without hyphen (D=day of the week, 1=Monday; 2=Tuesday; ... 7=Sunday).
801	Year To indicate a quantity of years.
802	Month To indicate a quantity of months.
803	Week To indicate a quantity of weeks.
804	Day To indicate a quantity of days.
805	Hour To indicate a quantity of hours.
806	Minute To indicate a quantity of minutes.
810	Trimester To indicate a quantity of trimesters (three months).
811	Half month To indicate a quantity of half months.
21E	DDHHMM-DDHHMM (GS1 Temporary Code) Format of period to be given in actual message without hyphen.
<b>3035</b>	Party function code qualifier Code giving specific meaning to a party.
CA	Carrier (3126) Party undertaking or arranging transport of goods between named points.
DP	Delivery party (3144) Party to which goods should be delivered, if not identical with consignee. GS1 Description: Party to which goods should be delivered, if not the same as the buyer.
FW	Freight forwarder Party arranging forwarding of goods.

**Used Codes**

<b>3055</b>	Code list responsible agency code Code specifying the agency responsible for a code list.
2	CEC (Commission of the European Communities) Generic: see also 140, 141, 142, 162. GS1 Description: Commission of the European Communities
3	IATA (International Air Transport Association) The airline industry's international organisation. GS1 Description: International Air Transport Association
5	ISO (International Organization for Standardization) International Organization of Standardization.
6	UN/ECE (United Nations - Economic Commission for Europe) United Nations Economic Commission for Europe.
7	CEFIC (Conseil Europeen des Federations de l'Industrie Chimique) EDI project for chemical industry.
8	EDIFICE Standardised electronic commerce forum for companies with interests in computing, electronics and telecommunications. GS1 Description: EDI Forum for companies with Interest in Computing and Electronics (EDI project for EDP/ADP sector).
9	GS1 GS1 (formerly EAN International), an organisation of GS1 Member Organisations, which manages the GS1 System. GS1 Description: GS1 International.
10	ODETTE Organization for Data Exchange through Tele-Transmission in Europe (European automotive industry project).
17	S.W.I.F.T. Society for Worldwide Interbank Financial Telecommunications s.c.
28	EDITEUR (European book sector electronic data interchange group) Code identifying the pan European user group for the book industry as an organisation responsible for code values in the book industry.
60	Assigned by national trade agency The code list is from a national agency.
65	GS1 France Organisation responsible for GS1 System in France.

**Used Codes**

68	GS1 Italy Organisation responsible for GS1 System in Italy.
83	US, National Retail Federation The National Retail Federation is the trade association for the general merchandise retailing industry. In addition to providing support and education services, they also maintain and publish standard colour and size codes for the retail industry.
84	DE, BRD (Gesetzgeber der Bundesrepublik Deutschland) German legislature.
86	Assigned by party originating the message Codes assigned by the party originating the message.
87	Assigned by carrier Codes assigned by the carrier.
88	Assigned by owner of operation Assigned by owner of operation (e.g. used in construction).
89	Assigned by distributor Codes assigned by a distributor.
90	Assigned by manufacturer Code assigned by the manufacturer.
91	Assigned by supplier or supplier's agent Codes assigned by a seller or seller's agent. GS1 Description: Code assigned by the supplier or supplier's agent.
92	Assigned by buyer or buyer's agent Codes assigned by a buyer or buyer's agent.
112	US, U.S. Census Bureau The Bureau of the Census of the U.S. Dept. of Commerce.
113	GS1 US Organisation responsible for GS1 System in the USA.
116	US, ANSI ASC X12 American National Standards Institute ASC X12.
131	DE, German Bankers Association German Bankers' Association.
136	GS1 UK Organisation responsible for GS1 System in the UK.
137	AT, Verband oesterreichischer Banken und Bankiers Austrian bankers association.

**Used Codes**

174	DE, DIN (Deutsches Institut fuer Normung) German standardization institute.
182	US, Standard Carrier Alpha Code (Motor) Organisation maintaining the SCAC lists and transportation operating in North America.
194	AU, AQIS (Australian Quarantine and Inspection Service) Australian Quarantine and Inspection Service.
200	GS1 Netherlands Organisation responsible for GS1 System in the Netherlands.
245	GS1 Denmark Organisation responsible for GS1 System in Denmark.
246	GS1 Germany Organisation responsible for GS1 System in Germany. GS1 Description: German representative of International Article Numbering association (GS1).
260	Ediel Nordic forum A code to identify Ediel Nordic forum, which is an organization standardizing the use of EDI between the participants in the Nordic power market.
281	GS1 Belgium & Luxembourg Organisation responsible for GS1 System in Belgium & Luxembourg.
286	SE, TCO (Tjänstemännen Central Organisation) The Swedish Confederation of Professional Employees.
294	GS1 Austria Organisation responsible for the GS1 System in Austria.
295	AU, Therapeutic Goods Administration Austrian administration responsible for the regulation of therapeutic goods in Australia. EDIFACT
297	IT, Ufficio IVA Ufficio responsabile gestione partite IVA, Italy (Italian Institute issuing VAT registration numbers). EDIFACT
298	GS1 Spain Organisation responsible for the GS1 System in Spain.
316	GS1 Finland Organisation responsible for the GS1 system in Finland.
317	GS1 Brazil Organisation responsible for the GS1 system in Brazil.

**Used Codes**

324	GS1 Ireland Organisation responsible for the GS1 system in Ireland.
325	GS1 Russia Organisation responsible for the GS1 system in Russia.
326	GS1 Poland Organisation responsible for the GS1 system in Poland.
327	GS1 Estonia Organisation responsible for the GS1 system in Estonia.
376	PANTONE Color code controlling organisation
400	FAO (Food and Agriculture Organisation) Food and Agriculture Organisation of the United Nations.
CEN	Comite European de Normalisation (GS1 Temporary Code) Comite European de Normalisation.
PMS	Pantone Matching System (GS1 Temporary Code) Pantone Matching System.
RAL	DE, Deutsches Institut fuer Guetesicherung und Kennzeichnung (GS1 Temporary Code)
TGA	AU, Therapeutic Goods Administration (GS1 Temporary Code) Australian administration responsible for the regulation of therapeutic goods in Australia.
X5	IT, Ufficio IVA (GS1 Temporary Code) Ufficio responsabile gestione partite IVA, Italy (Italian Institute issuing VAT registration numbers).
X6	Assigned by logistics service provider (GS1 Temporary Code) Codes assigned by the logistics service provider.
ZZZ	Mutually defined A code assigned within a code list to be used on an interim basis and as defined among trading partners until a precise code can be assigned to the code list.
<b>3139</b>	Contact function code Code specifying the function of a contact (e.g. department or person).
IC	Information contact Department/person to contact for questions regarding transactions.
<b>3155</b>	Communication address code qualifier Code qualifying the communication address.

**Used Codes**

AL	Cellular phone Identifies the cellular phone number.
AO	Uniform Resource Location (URL) Identification of the Uniform Resource Location (URL) Synonym: World wide web address. EDIFACT
AQ	X.400 address for mail text The X.400 address accepting information in the body text of a message.
AR	AS1 address Address capable of receiving messages in accordance with the EDIINT/AS1 protocol for MIME based EDI .
AS	AS2 address Address capable of receiving messages in accordance with the EDIINT/AS2 protocol.
AT	AS3 address Address capable of receiving messages in accordance with the EDIINT/AS3 protocol.
AU	File Transfer Protocol Address capable for receiving message in accordance with the File Transfer Protocol (IETF RFC 959 et. al.).
CA	Cable address The communication number identifies a cable address.
EI	EDI Number identifying the service and service user.
EM	Electronic mail Exchange of mail by electronic means. GS1 Description: Creating/sending/receiving of unstructured free text messages or documents using computer network, a mini-computer or an attached modem and regular telephone line or other electronic transmission media.
EXI	Exite mail (GS1 Temporary Code) Requests that the file shall be returned via Exite.
FX	Fax Device used for transmitting and reproducing fixed graphic material (as printing) by means of signals over telephone lines or other electronic transmission media.
IA	Interchange address (GS1 Temporary Code) Code identifying an EDI interchange address.
TE	Telephone Voice/data transmission by telephone.



**Used Codes**

TL	Telex Transmission of text/data via telex.
WWW	WWW-Site (GS1 Temporary Code) The identification of a world wide web address.
XF	X.400 The X.400 address. GS1 Description: CCITT Message handling system.
XG	Pager Identifies that the communication number is for a pager.

**3207**

Country name code  
| Identification of the name of the country or other geographical entity as defined in ISO 3166-1.

Notes:

| 1. Use ISO 3166-1 two alpha country code.

AD	ANDORRA
AE	UNITED ARAB EMIRATES
AF	AFGHANISTAN
AG	ANTIGUA AND BARBUDA
AI	ANGUILLA
AL	ALBANIA
AM	ARMENIA
AN	NETHERLANDS ANTILLES
AO	ANGOLA
AQ	ANTARCTICA
AR	ARGENTINA
AS	AMERICAN SAMOA
AT	AUSTRIA
AU	AUSTRALIA
AW	ARUBA
AZ	AZERBAIJAN
BA	BOSNIA AND HERZEGOVINA
BB	BARBADOS
BD	BANGLADESH
BE	BELGIUM

**Used Codes**

---

BF	BURKINA FASO
BG	BULGARIA
BH	BAHRAIN
BI	BURUNDI
BJ	BENIN
BM	BERMUDA
BN	BRUNEI DARUSSALAM
BO	BOLIVIA
BR	BRAZIL
BS	BAHAMAS
BT	BHUTAN
BV	BOUVET ISLAND
BW	BOTSWANA
BY	BELARUS
BZ	BELIZE
CA	CANADA
CC	COCOS (KEELING) ISLANDS
CD	CONGO, THE DEMOCRATIC REPUBLIC OF THE
CF	CENTRAL AFRICAN REPUBLIC
CG	CONGO
CH	SWITZERLAND
CI	COTE D'IVOIRE
CK	COOK ISLANDS
CL	CHILE
CM	CAMEROON
CN	CHINA
CO	COLOMBIA
CR	COSTA RICA
CU	CUBA
CV	CAPE VERDE
CX	CHRISTMAS ISLAND
CY	CYPRUS
CZ	CZECH REPUBLIC

**Used Codes**

---

DE	GERMANY
DJ	DJIBOUTI
DK	DENMARK
DM	DOMINICA
DO	DOMINICAN REPUBLIC
DZ	ALGERIA
EC	ECUADOR
EE	ESTONIA
EG	EGYPT
EH	WESTERN SAHARA
ER	ERITREA
ES	SPAIN
ET	ETHIOPIA
FI	FINLAND
FJ	FIJI
FK	FALKLAND ISLANDS (MALVINAS)
FM	MICRONESIA, FEDERATED STATES OF
FO	FAROE ISLANDS
FR	FRANCE
GA	GABON
GB	UNITED KINGDOM
GD	GRENADA
GE	GEORGIA
GF	FRENCH GUIANA
GH	GHANA
GI	GIBRALTAR
GL	GREENLAND
GM	GAMBIA
GN	GUINEA
GP	GUADELOUPE
GQ	EQUATORIAL GUINEA
GR	GREECE
GS	SOUTH GEORGIA AND THE SOUTH SANDWICH ISLANDS

**Used Codes**

GT	GUATEMALA
GU	GUAM
GW	GUINEA-BISSAU
GY	GUYANA
HK	HONG KONG
HM	HEARD ISLAND AND MCDONALD ISLANDS
HN	HONDURAS
HR	CROATIA
HT	HAITI
HU	HUNGARY
ID	INDONESIA
IE	IRELAND
IL	ISRAEL
IN	INDIA
IO	BRITISH INDIAN OCEAN TERRITORY
IQ	IRAQ
IR	IRAN, ISLAMIC REPUBLIC OF
IS	ICELAND
IT	ITALY
JM	JAMAICA
JO	JORDAN
JP	JAPAN
KE	KENYA
KG	KYRGYZSTAN
KH	CAMBODIA
KI	KIRIBATI
KM	COMOROS
KN	SAINT KITTS AND NEVIS
KP	KOREA, DEMOCRATIC PEOPLE'S REPUBLIC OF
KR	KOREA, REPUBLIC OF
KW	KUWAIT
KY	CAYMAN ISLANDS
KZ	KAZAKSTAN

**Used Codes**

LA	LAO PEOPLE'S DEMOCRATIC REPUBLIC
LB	LEBANON
LC	SAINT LUCIA
LI	LIECHTENSTEIN
LK	SRI LANKA
LR	LIBERIA
LS	LESOTHO
LT	LITHUANIA
LU	LUXEMBOURG
LV	LATVIA
LY	LIBYAN ARAB JAMAHIRIYA
MA	MOROCCO
MC	MONACO
MD	MOLDOVA, REPUBLIC OF
MG	MADAGASCAR
MH	MARSHALL ISLANDS
MK	MACEDONIA, THE FORMER YUGOSLAV REPUBLIC OF
ML	MALI
MM	MYANMAR
MN	MONGOLIA
MO	MACAU
MP	NORTHERN MARIANA ISLANDS
MQ	MARTINIQUE
MR	MAURITANIA
MS	MONTSERRAT
MT	MALTA
MU	MAURITIUS
MV	MALDIVES
MW	MALAWI
MX	MEXICO
MY	MALAYSIA
MZ	MOZAMBIQUE
NA	NAMIBIA

**Used Codes**

---

NC	NEW CALEDONIA
NE	NIGER
NF	NORFOLK ISLAND
NG	NIGERIA
NI	NICARAGUA
NL	NETHERLANDS
NO	NORWAY
NP	NEPAL
NR	NAURU
NU	NIUE
NZ	NEW ZEALAND
OM	OMAN
PA	PANAMA
PE	PERU
PF	FRENCH POLYNESIA
PG	PAPUA NEW GUINEA
PH	PHILIPPINES
PK	PAKISTAN
PL	POLAND
PM	SAINT PIERRE AND MIQUELON
PN	PITCAIRN
PR	PUERTO RICO
PS	PALESTINIAN TERRITORY, OCCUPIED
PT	PORTUGAL
PW	PALAU
PY	PARAGUAY
QA	QATAR
RE	REUNION
RO	ROMANIA
RS	SERBIA
RU	RUSSIAN FEDERATION
RW	RWANDA
SA	SAUDI ARABIA

**Used Codes**

SB	SOLOMON ISLANDS
SC	SEYCHELLES
SD	SUDAN
SE	SWEDEN
SG	SINGAPORE
SH	SAINT HELENA
SI	SLOVENIA
SJ	SVALBARD AND JAN MAYEN
SK	SLOVAKIA
SL	SIERRA LEONE
SM	SAN MARINO
SN	SENEGAL
SO	SOMALIA
SR	SURINAME
ST	SAO TOME AND PRINCIPE
SV	EL SALVADOR
SY	SYRIAN ARAB REPUBLIC
SZ	SWAZILAND
TC	TURKS AND CAICOS ISLANDS
TD	CHAD
TF	FRENCH SOUTHERN TERRITORIES
TG	TOGO
TH	THAILAND
TJ	TAJKISTAN
TK	TOKELAU
TM	TURKMENISTAN
TN	TUNISIA
TO	TONGA
TP	EAST TIMOR
TR	TURKEY
TT	TRINIDAD AND TOBAGO
TV	TUVALU
TW	TAIWAN, PROVINCE OF CHINA

**Used Codes**

TZ	TANZANIA, UNITED REPUBLIC OF
UA	UKRAINE
UG	UGANDA
UM	UNITED STATES MINOR OUTLYING ISLANDS
US	UNITED STATES
UY	URUGUAY
UZ	UZBEKISTAN
VA	HOLY SEE (VATICAN CITY STATE)
VC	SAINT VINCENT AND THE GRENADINES
VE	VENEZUELA
VG	VIRGIN ISLANDS, BRITISH
VI	VIRGIN ISLANDS, U.S.
VN	VIET NAM
VU	VANUATU
WF	WALLIS AND FUTUNA
WS	SAMOA
YE	YEMEN
YT	MAYOTTE
YU	YUGOSLAVIA
ZA	SOUTH AFRICA
ZM	ZAMBIA
ZW	ZIMBABWE

**3227**

Location function code qualifier  
Code identifying the function of a location.

7

Place of delivery  
(3246) Place to which the goods are to be finally delivered under transport contract terms (operational term).

**3453**

Language name code  
Code specifying the language name.

Notes:  
1. Use ISO 639-1988.

AA

Afar

AB

Abkhazian



**Used Codes**

AF	Afrikaans
AM	Amharic
AR	Arabic
AS	Assamese
AY	Aymara
AZ	Azerbaijani
BA	Bashkir
BE	Byelorussian
BG	Bulgarian
BH	Bihari
BI	Bislama
BN	Bengali; Bangla
BO	Tibetan
BR	Breton
CA	Catalan
CO	Corsican
CS	Czech
CY	Welsh
DA	Danish
DE	German
DZ	Bhutani
EL	Greek
EN	English
EO	Esperanto
ES	Spanish
ET	Esotonian
EU	Basque
FA	Persian
FI	Finnish
FJ	Fiji
FO	Faroese
FR	French
FY	Frisian

**Used Codes**

GA	Irish
GD	Scots Gaelic
GL	Galician
GN	Guarani
GU	Gujarati
HA	Hausa
HE	Hebrew
HI	Hindi
HR	Croatian
HU	Hungarian
HY	Armenian
IA	Interlingua
ID	Indonesian
IE	Interlingue
IK	Inupiak
IS	Icelandic
IT	Italian
IU	Eskimo, Inuktiut CA
JA	Japanese
JW	Javanese
KA	Georgian
KK	Kazakh
KL	Greenlandic
KM	Cambodian
KN	Kannada
KO	Korean
KS	Kashmiri
KU	Kurdish
KY	Kirghiz
LA	Latin
LN	Lingala
LO	Laothian
LT	Lithuanian

**Used Codes**

LV	Latvian, Lettish
MG	Malagasy
MI	Maori
MK	Macedonian
ML	Malayalam
MN	Mangolian
MO	Moldavian
MR	Marathi
MS	Malay
MT	Maltese
NA	Nauru
NE	Nepali
NL	Dutch
NO	Norwegian
OC	Occitan
OM	(Afan) Oromo
OR	Oriya
PA	Punjabi
PL	Polish
PS	Pashto, Pushto
PT	Portuguese
QU	Quechua
RM	Rhaeto-Romance
RN	Kirundi
RO	Romanian
RU	Russian
RW	Kinyarwanda
SA	Sanskrit
SD	Sindhi
SG	Sangho
SH	Serbo-Croatian
SI	Singhalese
SK	Slovak

**Used Codes**

---

SL	Slovenian
SM	Samoan
SN	Shona
SO	Somali
SQ	Albanian
SR	Serbian
SS	Siswati
ST	Sesotho
SU	Sundanese
SV	Swedish
SW	Sawahili
TA	Tamil
TE	Telugu
TG	Tajik
TH	Thai
TI	Tigrinya
TK	Turkmen
TL	Tagalog
TN	Setswana
TO	Tonga
TR	Turkish
TS	Tsonga
TT	Tatar
TW	Twi
UG	Uigur
UK	Ukrainian
UR	Urdu
UZ	Uzbek
VI	Vietnamese
VO	Volapük
WO	Wolof
YI	Yiddish
YO	Yoruba

**Used Codes**

ZA	Zhuang
ZH	Chinese
ZU	Zulu
<b>4233</b>	Marking instructions code Code specifying instructions for marking.
33E	Marked with serial shipping container code (GS1 Temporary Code) Indication that the serial shipping container code has been marked on a package.
<b>4441</b>	Free text value code Code specifying free form text.
78E	Proof Of Delivery (GS1 Permanent Code) The mentioned URL refers to a Proof of Delivery document. This Code value can be used if DE 4451 of the FTX segment is ZXL.
EQ	Excepted Quantities
LQ	Limited Quantities
N	No
SV	Special provision
Y	Yes
<b>4451</b>	Text subject code qualifier Code qualifying the subject of the text.
AAC	Dangerous goods additional information Additional information concerning dangerous goods.
AAD	Dangerous goods, technical name Proper shipping name, supplemented as necessary with the correct technical name, by which a dangerous substance or article may be correctly identified or which is sufficiently informative to permit identification by reference to generally available literature.
ACB	Additional information The text contains additional information.
DEL	Delivery information Information about delivery.
HAZ	Hazard information Information pertaining to a hazard.
OSI	Other service information General information created by the sender of general or specific value.

**Used Codes**

PAC	Packing/marking information Information regarding the packaging and/or marking of goods.
SAF	Safety information The text contains safety information.
SIN	Special instructions Special instructions like licence no, high value, handle with care, glass.
<b>4453</b>	Free text function code Code specifying the function of free text.
1	Text for subsequent use The occurrence of this text does not affect message processing.
<b>6069</b>	Control total type code qualifier Code qualifying the type of control of hash total.
7	Total gross weight Code to indicate total gross weight of a consignment.
<b>6311</b>	Measurement purpose code qualifier Code qualifying the purpose of the measurement.
AAA	Line item measurement Line item measurement specified by the Food and Drug Administration.
AAB	Transport conditions for delivery to distribution centre Specified measurements refer to transport conditions for delivery to a distribution centre.
AAC	Retail container size Size of a retail container in terms of volume.
AAE	Measurement [6314] Value of the measured unit.
AAF	Customs line item measurement The measurement of a consignment or part for customs purpose.
AAG	Percentage of alcohol (by volume) The measurement of the alcohol content. GS1 Description: The measurement of the percentage of alcohol by volume.
AAH	Dimensions total weight The total weight of an identified dimension.
AAI	Item weight Weight at line item level.

**Used Codes**

AAU	Package Commodity/product shipped or sold in discrete individual containers which may be accumulated in a larger package.
ABA	Unit of measure used for ordered quantities The unit of measure in which ordered quantities are expressed.
ABB	Transport conditions for delivery to market Specified measurements refer to transport conditions for delivery to the market.
ABC	Storage conditions to guarantee product freshness until best before date Specified measurements refer to storage conditions to guarantee the product freshness until best before date.
ABL	Internal dimension The inner measurement of the referenced item or package. EDIFACT
ABO	Comparison price measurement A measurement used for comparison pricing purposes. GS1 Description: A code to identify measurements for system or shelf edge labelling pricing comparison purposes, e.g. price of a 225 gram of caviar is 200 EUR, price per 100 grams is 89 EUR.
ABW	Unit of measure used for invoiced quantities Unit of measure of invoiced quantity.
ABX	Usable or consumable content Measurement of usable or consumable contents.
AMT	Amount (GS1 Temporary Code) A code to provide monetary range information applicable to allowances or charges, e.g. 5% discount for orders between 5000 and 10000 EUR.
CHW	Chargeable weight The weight on which charges are based.
CT	Counts The measurement is counts.
DT	Dimensional tolerance Possible range of values for a specified measurement dimension of a product, material or package.
DV	Discrete measurement value The measurement specified is separate and distinct from other measurements.
EGW	Estimated gross weight (GS1 Temporary Code) Estimated weight (mass) of goods, including packing.
FCT	Fat content (GS1 Temporary Code) A code to indicate the fat content of a product, e.g. cheese.

**Used Codes**

LL	Lift limitation A measurement indicating lift capacity limitations.
LMT	Loading metre The length in a vehicle, whereby the complete width and height over that length is needed for the goods.
MV	Measured value (GS1 Temporary Code) Specification of a value which was measured for test purposes.
PD	Physical dimensions (product ordered) Specified measurement dimensions refer to physical dimensions of a product, material or package. GS1 Description: The restriction 'product ordered' can be ignored.
RL	Receiving facility limitations Specified measurement dimensions are provided as a result of limitations or restrictions related to the physical dimensions of a product, material or package at the reception point.
SH	Shipping tolerance Tolerances related to shipping.
SO	Storage limitation A measurement indicating limitation in relation to storage.
SV	Specification value A measurable item characteristic specified by the buyer, seller or third party.
TL	Transportation equipment limitations A measurement indicating limitations in relation to transportation equipment.
TR	Test result Indicates that the data to follow is the test result measurements.
UTV	Unit total volume of pure alcohol (GS1 Temporary Code) The measurement of the unit total volume of pure alcohol.
VO	Observed value (GS1 Temporary Code) The reported test result which includes measurement variability.
VT	True value (GS1 Temporary Code) The reported test result with the measurement variability removed.
X4E	Retail container dimension (GS1 Temporary Code) Single physical dimension of a retail container.
X5E	Colour (GS1 Temporary Code) The colour of an object.
X6E	Size (GS1 Temporary Code) Dimensions or magnitude of an object.



**Used Codes**

Y1E	Internal dimensions (GS1 Temporary Code) Internal dimension of an article, e.g. a piece of furniture
Y2E	Maximum dimensions using a functionality (GS1 Temporary Code) Maximum dimension of an article using a functionality (e.g. extendable sofa bed)
Y3E	Minimum dimensions using a functionality (GS1 Temporary Code) Minimum dimension of an article using a functionality (e.g. folding chair)
Y4E	Mattress dimensions (GS1 Temporary Code) Dimension of a mattress, i.e. not the total dimension of the bed frame.
Y5E	Seat dimensions (GS1 Temporary Code) Seat dimension of a chair etc., not total dimension.
<b>6313</b>	Measured attribute code Code specifying the attribute measured.
A	Consolidated weight The measured consolidated weight.
AAA	Unit net weight GS1 Description: Weight (mass) of the goods without any packing.
AAB	Unit gross weight [6292] Weight (mass) of goods including packing but excluding the carrier's equipment.
AAC	Total net weight Total weight of goods excluding packaging. GS1 Description: "Total" in this code means the sum of the net weight of all items.
AAD	Total gross weight [6292] Weight (mass) of goods including packing but excluding the carrier's equipment. GS1 Description: "Total" in this code means the sum of the gross weight of all items.
AAJ	Number of units per pallet The number of units contained on a pallet. GS1 Description: An indication of the number of units on a loaded pallet. The value associated with this code is calculated by multiplying the number of units per layer by the number of layers on a pallet.
AAK	Fat content An indication of the fat content of a product.

**Used Codes**

AAL	<p>Net weight</p> <p>GS1 Description: Weight (mass) of goods excluding packaging.</p> <p>GS1 usage note: The field of implementation of this code is the area of transport and related activities such as the preparation of goods into consignments for shipping.</p>
AAO	<p>Humidity</p> <p>Self-explanatory.</p>
AAP	<p>Voltage</p> <p>Self-explanatory.</p>
AAQ	<p>Power consumption</p> <p>Value of energy consumption.</p>
AAR	<p>Heat dissipation</p> <p>Self-explanatory.</p>
AAU	<p>Operative temperature</p> <p>Temperature identified system or process works according to specifications.</p>
AAW	<p>Gross volume</p> <p>The observed volume unadjusted for factors such as temperature or gravity.</p> <p>GS1 Description: The usage of this code relates to the contents, e.g. gases or liquids that expand/contract under given circumstances.</p>
AAX	<p>Net volume</p> <p>The observed volume after adjustment for factors such as temperature or gravity.</p> <p>GS1 Description: The usage of this code relates to the contents, e.g. gases or liquids that expand/contract under given circumstances.</p>
AAZ	<p>Water content</p> <p>Water content in product.</p>
ABF	<p>Item width when unrolled</p> <p>The width of an item when unrolled.</p>
ABG	<p>Item length when unrolled</p> <p>The length of an item when unrolled.</p>
ABH	<p>Item area when unrolled</p> <p>The area occupied by an item when unrolled.</p>
ABI	<p>Original wort</p> <p>Measure of the malt and hops content of beer, before fermentation has taken place.</p>
ABJ	<p>Volume</p> <p>The amount of air space taken up by the entity identified in the 6311 qualifier.</p> <p>GS1 Description: The usage of this code relates to the cube of air that the package takes up.</p>

**Used Codes**

ABK	Angle The angle of an object. EDIFACT
ABL	Peg hole horizontal distance from package leftmost edge Horizontal distance from the left most edge of the package to the center of the hole into which the peg is inserted. EDIFACT
ABM	Peg hole vertical distance from top Vertical distance from the top of the package to the top of the hole into which the peg is inserted. EDIFACT
ABO	Product strength, chemical The amount of the single active chemical ingredient within a product. EDIFACT
ABP	Product strength basis, chemical Amount of product used as the basis for the specification of the chemical product strenght. EDIFACT
ABQ	Percentage of alcohol (by volume) The percentage of alcohol contained in a liquid.
ACG	Chargeable weight The weight on which charges are based.
ACN	Estimated gross weight Estimated weight (mass) of goods, including packing and excluding carrier's. GS1 Description: Estimated gross weight (mass) of goods, including packing and excluding carrier's equipment.
ACP	Estimated volume Estimated size or measure of anything in three dimensions. GS1 Description: The usage of this code relates to the cube of air that the package takes up.
ACV	Loading meters The length in a vehicle, whereby the complete width and height over that length is needed for the goods.
ADJ	Surface (GS1 Temporary Code) A measurement in relation a surface.
ADX	Transport container actual filling weight Actual filling weight of a transport container.
ADY	Transport container maximum capacity Maximum capacity of a transport container.

## Used Codes

---

ADZ	<p>Declared net weight</p> <p>The declared net weight of a product or products used for invoicing, customs or transport purposes.</p> <p>GS1 Description: The field of implementation of this code is the area of transport and/or customs.</p>
AEA	<p>Loading height</p> <p>Maximum height of products or packages loaded onto a given transportation device or equipment such as a pallet.</p>
AEB	<p>Stacking height</p> <p>Maximum height up to which the same product or package may be placed one upon the other for storage purposes.</p>
AEI	<p>Drained weight</p> <p>The weight of a product when all liquids used in the packaging of the product have been removed.</p>
AEV	<p>Acidity of juice</p> <p>Acid measurement of juice.</p> <p>GS1 Description: Acid number of juice of fruit measured with pH = 8.2.</p>
AEW	<p>Penetrometry</p> <p>Measurement of force required to drive a standard penetrating stamp.</p>
AEX	<p>Durofel</p> <p>Measurement of the elastic force using a standard penetrating stamp.</p> <p>GS1 Description: Measure of the elastic force of the pulp of a fruit. This is measured with a penetrating stamp and expressed as a percentage.</p>
AEY	<p>Juice weight per 100 grams</p> <p>Measurement of weight of juice, based on 100 grams of the entire weight.</p> <p>GS1 Description: Weight of juice, based on 100 grams of the entire fruit, expressed as a percentage.</p>
AEZ	<p>Fruit skin colour</p> <p>Measurement of the colouring of the epidermis of a fruit.</p> <p>GS1 Description: Colouring of the epidermis of a fruit measured with comparators. It indicates the maturity of the fruit or its commercial quality.</p>
AFB	<p>Durofel D10</p> <p>Measure of the elastic force of the pulp of a fruit. It is measured with a penetrating stamp with diameter 10.</p> <p>GS1 Description: Measure of the elastic force of the pulp of a fruit. It is measured with a penetrating stamp with diameter 10. This measure is expressed as a percentage.</p>

**Used Codes**

AFC	Durofel D25 Measure of the elastic force of the pulp of a fruit. It is measured with a penetrating stamp with diameter 25. GS1 Description: Measure of the elastic force of the pulp of a fruit. It is measured with a penetrating stamp with diameter 25. This measure is expressed as a percentage.
AFD	Durofel D50 Measure of the elastic force of the pulp of a fruit. It is measured with a penetrating stamp with diameter 50. GS1 Description: Measure of the elastic force of the pulp of a fruit. It is measured with a penetrating stamp with diameter 50. This measure is expressed as a percentage.
AFE	Maximum stacking weight The maximum weight which may be stacked upon a product or package without the product or packaging being crushed.
AFF	Gross measure cube The total cubic space occupied by an item, taking into account any protruding components, arrived at by multiplying the maximum length, width and height.
AFG	Percentage fat content in dry matter The percentage of fat content in dry matter.
AFH	Saccharometric content Measurement of the sugar content of a solution. EDIFACT
AFI	Hydrate content of an alcoholic product after bottling The hydrate content which occurs in an alcoholic product after bottling.
AFJ	Anhydrous content The non-water content. GS1 Description: Anydrous content of an alcoholic product.
AFT	Colour depth The number of distinct colours represented, e.g. in an image or in a display.
AFU	Colour depth, maximum The maximum number of distinct colours that can be represented, e.g. in an image or in a display.
AFV	Image resolution The level of detail of an image.
AFW	Device resolution, maximum The maximum level of detail produced by a device.

**Used Codes**

AFX	Acoustic absorption coefficient The portion of sound energy a surface absorbs, measured at different frequencies.
BNU	Peg hole number Used to identify the peg hole if more than one hole is present in the product or packaging.
BNV	Number of inner packs Indicates the number of non coded physical groupings (inner packs) of next lower level trade items within the current trade item level.
BNW	Number of next level trade items within inner pack The number of next lower level trade items contained within the physical non-coded grouping (inner pack).
BNX	Number of trade items per pallet layer The number of trade items contained on a single layer of a pallet.
BNY	Packed items layer Height The height of a single layer of packed items.
BNZ	Packing material weight, skin tight covering The weight measurement of the packing material used for skin tight covering (e.g. when packaging prepared meats, poultry, cheese, and other food products).
BRB	Components labelled for recycling percentage Percentage of trade item components that clearly label how to facilitate product disassembly and recycling.
BRC	Renewable plastic components percentage, by net weight The percentage of the plastic components only made from rapidly renewable plant-based material by net weight of product.
BRD	Clamp pressure, required The pressure that should be applied by a clamp.
BUP	Number of base units per pallet (GS1 Temporary Code) The number of base units contained in a pallet.
CF1	Colony forming Unit (GS1 Temporary Code) Micro-organism colonies that are to be counted under determined conditions.
CT	Contents of package In combination with the other data elements of the actual segment this code indicates the measured content of a package.
DBX	Degree BRIX (GS1 Temporary Code) The rate of sugar.
DI	Diameter Diameter of an article.

**Used Codes**

DLL	Diluted liquid (GS1 Temporary Code) The volume of liquid which results after a dilution agent has been added, e.g. undiluted orange juice of 200ml, after dilution with water the volume of diluted liquid equals 1 litre.
DN	Density The measured density.
DP	Depth The measured depth.
ENE	Energy efficiency (GS1 Temporary Code) A measurement of the energy efficiency of an article.
G	Gross weight [6292] Weight (mass) of goods including packing but excluding the carrier's equipment. GS1 Description: The field of implementation of this code is the area of transport and related activities such as the preparation of goods into consignments for shipping.
HT	Height dimension Numeric value of height.
HYE	Hydrate content (GS1 Temporary Code) Hydrate content of an alcoholic product.
ID	Inside diameter The measured inside diameter. GS1 Description: A measurement of the inside diameter of a roll, tube, pipe, or circle.
LAY	Number of layers (GS1 Temporary Code) Number of layers of a product or products within a package, container, pallet, etc. GS1 Description: Number of layers of a product or products within a package, container, pallet, etc.
LN	Length dimension (6168) Length of pieces or packages stated for transport purposes.
MDM	Maximum demand (GS1 Temporary Code) The highest demand recorded during the period of recording of usage of the supply.
NPL	Number of layers per pallet (GS1 Temporary Code) The number of layers per pallet.
NPP	Number of pallet places (GS1 Temporary Code) The number of pallet places needed to store or transport pallets (can be stacked).

**Used Codes**

OD	Outside diameter The measured outside diameter. GS1 Description: A measurement of the outside diameter of a roll, tube, pipe, or circle.
PMC	Package net measurement cube (GS1 Temporary Code) An indication of the net cubed measurement of a package.
PWF	Power factor (GS1 Temporary Code) The ration of the power dissipated (active power in kW) to the total power (which is the product of the input volts times amps given in kVa). When equipment which uses reactive power is being operated the power factor will be less than one.
RA	Relative humidity The measured relative humidity.
RJ	Rockwell C Hardness in the Rockwell C scale.
SAA	Product strength (GS1 Temporary Code) Product strength expressed as the absolute value of the active ingredient's amount.
SCC	Saccharometric content (GS1 Temporary Code) Saccharometric content of an alcoholic product.
SF	Stacking factor excluding bottom item (GS1 Temporary Code) Maximum number of items stackable upon each other, excluding the bottom item.
SPG	Specific gravity (GS1 Temporary Code)
SPV	Product strength basis (GS1 Temporary Code) Product measurement basis that contains the product strength.
SSZ	Step size (GS1 Temporary Code) An indication of measurements in which options contained within a Customer Specific Article are available, e.g. 10 metre planks of wood may be sold in step sizes of 2 metres.
T	Tare weight Weight excluding goods and loose accessories.
TC	Temperature A measurement in relation to temperature.
TH	Thickness The measured thickness.
TN	Time period Measurement of a specific length of time.
UCO	Units per package (GS1 Temporary Code) The number of identified units per package.



**Used Codes**

ULY	Number of units per layer (GS1 Temporary Code) Number of units of a product or package within one layer of a package, container, pallet, etc.
WD	Width dimension Numeric value of width.
WRM	Weight per running metre (GS1 Temporary Code) A code used to indicate the weight per running metre of floor coverings over floor area.
WSM	Weight per square metre (GS1 Temporary Code) A code used to indicate the weight per square metre of floor coverings over floor area.
X01	Acidity of meat (1 hour after slaughtering) The meat's acid quality or condition expressed as a pH value measured 1 hour after slaughtering.
X02	Acidity of meat (12 hours after slaughtering) The meat's acid quality or condition expressed as a pH value measured 12 hours after slaughtering.
X03	Acidity of meat (24 hours after slaughtering) The meat's acid quality or condition expressed as a pH value measured 24 hours after slaughtering.
X04	Acidity of meat (36 hour(s) after slaughtering) The meat's acid quality or condition expressed as a pH value measured 36 hours after slaughtering.
X05	Acidity of meat (48 hour(s) after slaughtering) The meat's acid quality or condition expressed as a pH value measured 48 hours after slaughtering.
X11	Angle (GS1 Temporary Code) The angle of an object.
X12	Area (GS1 Temporary Code) The area occupied by an item.
X13	Acidity of meat (GS1 Temporary Code) The meat's acid quality or condition expressed as a pH value.
X16	Slaughtering weight (GS1 Temporary Code) Warm weight after slaughter
X17	Stacking factor including bottom item (GS1 Temporary Code) Maximum number of items stackable upon each other, including the bottom item.
X1E	Number of units in the width of a layer (GS1 Temporary Code) Number of units of a product or package which make up the width of a layer in a package, container, pallet, etc.

**Used Codes**

X2E	Number of units in the depth of a layer (GS1 Temporary Code) Number of units of a product or package which make up the depth of a layer in a package, container, pallet, etc.
X6E	Nestable percentage (GS1 Temporary Code) Extent expressed as a percentage to which an item can be nested within an identical item.
X7E	Gross weight including carrier's equipment (GS1 Temporary Code) Weight (mass) of goods including packaging and the carrier's equipment. In this context 'carrier's equipment' means any material resources necessary to facilitate the transport and handling of the goods without having the ability to move by its own propulsion, e.g. pallet, container, etc. GS1 usage Note The field of implementation of this code is the area of transport and related activities such as the preparation of goods into consignments for shipping.
X8E	Peg hole horizontal distance from package leftmost edge (GS1 Temporary Code) Horizontal distance from the left most edge of the package to the center of the hole into which the peg is inserted.
X9E	Peg hole vertical distance from top (GS1 Temporary Code) Vertical distance from the top of the package to the top of the hole into which the peg is inserted.
ZWA	Waste content The measured waste content.
<b>6411</b>	Measurement unit code Code specifying the unit of measurement.  Notes:   1. Recommend use UN/ECE Recommendation 20, Common code.
001	Barrel (205 litres, 45 gallons) (GS1 Temporary Code)
002	Degree days (GS1 Temporary Code)
003	Gigacaloric (GS1 Temporary Code)
04	small spray
23	gram per cubic centimetre GS1 Description: g/cm <sup>3</sup> as a unit of measure for the density of gas. This is necessary for dangerous substance articles for determination of the quantities that can be stored together on the shelf.
25	gram per square centimetre GS1 Description: A measure of weight in terms of gram per square centimetre.
28	kilogram per square metre GS1 Description: Unit of measure expressed in kilogram per square metre.

**Used Codes**

37	ounce per square foot
59	part per million
64	Pound per square inch, gauge A unit of measure expressed in pound per square inch
2N	decibel
2X	metre per minute GS1 Description: A measure of speed in terms of metres per minute.
4K	milliampere
4L	megabyte GS1 Description: A unit of computer memory equal to 1.048.576 (i.e. 2 power 20) bytes.
4O	microfarad GS1 Description: One millionth of a farad. A farad is the capacitance of a capacitor between the plates of which a potential of 1 volt is created by a charge of 1 Coulomb.
4P	newton per metre
A25	cheval vapeur
A86	gigahertz GS1 Description: Hertz multiplied by 10*9.
A99	Bit A unit of information equal to one binary digit.
ACR	acre GS1 Description: Acre (4840 yd <sup>2</sup> )
AD	byte GS1 Description: A unit of information stored in a computer, equal to eight bits.
AMH	ampere hour GS1 Description: Ampere-hour (3,6kC)
AMP	ampere
AMT	Amount (GS1 Temporary Code) A measurement of monetary amount.
ANN	year GS1 Description: The expression of a year as a measure unit.
APX	Troy ounce (31.10348 g) (GS1 Temporary Code)
APZ	Troy ounce or apothecary ounce EDIFACT

**Used Codes**

ASM	alcoholic strength by mass GS1 Description: Alcoholic strength expressed by mass.
ASU	alcoholic strength by volume GS1 Description: Alcoholic strength expressed by volume.
AV	capsule GS1 Description: Encapsuled dosage form for pharmaceuticals.
B13	Joule per square metre A unit of measure of heat energy expressed in joule per square metre.
B17	Credit A unit of count defining the number of entries made to the credit side of an account.
BAR	bar GS1 Description: A unit of measure equal to 106 dines per square centimeter.
BTU	British thermal unit GS1 Description: British thermal unit (1,055 kilojoules)
C0	call GS1 Description: Unit of measure for telephone calls. Code value is C0 (C Zero).
C60	ohm centimetre GS1 Description: Unit of measure expressed in Ohm centimetre.
C79	Kilovolt Ampere Hour A unit of accumulated energy of 1000 volt amperes over a period of one hour. EDIFACT
CDL	candela GS1 Description: Unit of measure of light intensity.
CEL	degree celsius
CF2	Colony forming unit per gram (GS1 Temporary Code) Colony forming units per gram is a unit of measure for micro-organisms, such as bacteria, in a food item. Micro-organisms form colonies that are be counted under determined conditions
CLT	centilitre GS1 Description: A unit of volume equal to one hundredth of a liter.
CMK	square centimetre

**Used Codes**

CMQ	cubic centimetre GS1 Description: A system of units for the measurement of volume based on the cubic centimetre.
CMT	centimetre
D19	Square metre kelvin per watt Unit of measure of thermal insulance expressed in square metre kelvin per watt.
D21	square metre per kilogram GS1 Description: Unit of measure expressed in square metre per kilogram.
D32	Terawatt hour A unit of measure expressed in terawatt hour
D5	Kilogram per square centimetre A unit of measure expressed in kilogram per square centimetre
D55	Watt per square metre kelvin Unit of measure of thermal conductance expressed in watt per square metre kelvin.
D68	Number of Words A unit of count defining the number of words. EDIFACT
DAY	day GS1 Description: The expression of a day as a measure unit.
DD	degree GS1 Description: Unit of measure of temperature.
DMQ	cubic decimetre GS1 Description: Unit of measure expressed in cubic decimetre.
DMT	decimetre
DOS	Dose (GS1 Temporary Code) An amount of medicine, etc administered at one time.
DRG	Dragée (GS1 Temporary Code) Number of dragées (coated tablets) contained in the item's package as a measurement unit.
DZN	dozen GS1 Description: A unit of measure of 12 or group of 12.

**Used Codes**

E09	Milliampere hour A unit of power load delivered at the rate of one thousandth of an ampere over a period of one hour. EDIFACT
E10	Degree day A unit of measure used in meteorology and engineering to measure the demand for heating or cooling over a given period of days. EDIFACT
E11	Gigacalorie A unit of heat energy equal to one thousand million calories. EDIFACT
E27	Dose A unit of count defining the number of doses (dose: a definite quantity of a medicine or drug). EDIFACT
E31	Square metre per litre A unit of count defining the number of square metres per litre. EDIFACT
E32	Litre per hour A unit of count defining the number of litres per hour. EDIFACT
E34	Gigabyte A unit of information equal to 10 E9 bytes.
E37	Pixel A unit of count defining the number of pixels (pixel: picture element).
E38	Megapixel A unit of count equal to 10 E6 (1000000) pixels (picture elements).
E39	Dots per inch A unit of information defining the number of dots per linear inch as a measure of the resolution or sharpness of an image. GS1 Description: synonym: pixels per inch.
EA	each
EV	envelope GS1 Description: A unit of measure pertaining to the number of envelopes.
FAH	degree Fahrenheit
FOT	foot GS1 Description: Foot (0,3048 m)
FP	Pound per square foot A unit of measure expressed in pound per square foot

**Used Codes**

FTK	Square foot A unit of measure expressed in square foot
FTQ	cubic foot
GL	gram per litre
GLI	gallon (UK) GS1 Description: Gallon (4,546092 dm3)
GM	gram per square metre GS1 Description: Unit of measure of grams per square metre.
GRM	gram
GRO	gross GS1 Description: A unit of measure of 12 dozens.
GV	gigajoule
GWH	gigawatt hour GS1 Description: Gigawatt-hour (1 million kW/h)
H87	Piece A unit of count defining the number of pieces (piece: a single item, article or exemplar). EDIFACT
HLT	hectolitre
HMT	hectometre A unit of linear measure equal to 10 E2 metres.
HTZ	hertz GS1 Description: One cycle per second.
HUR	hour
INH	inch GS1 Description: Inch (25,4 mm)
INK	Square inch A unit of measure expressed in square inch
JM	Megajoule per cubic metre EDIFACT
JOU	joule
K51	Kilocalorie (mean) EDIFACT

**Used Codes**

KAH	Kilovolt Ampere Hour (GS1 Temporary Code) A unit of measure expressed in Kilovolt Ampere Hour.
KB	kilocharacter
KBA	kilobar
KCL	Kilocalorie (GS1 Temporary Code) Unit of measure for the calorific value of the item (= 1000 cal).
KEL	kelvin
KGM	kilogram
KHZ	kilohertz
KJO	kilojoule
KL	kilogram per metre GS1 Description: A measure of weight in terms of kilogram per metre.
KMH	kilometre per hour GS1 Description: A unit of measure expressed in kilometre per hour.
KMQ	kilogram per cubic metre GS1 Description: A measure of weight in terms of kilogram per cubic metre.
KPA	kilopascal GS1 Description: Unit of measure expressed in kilopascal.
KTM	kilometre
KVA	kilovolt - ampere GS1 Description: A unit of electric power.
KVT	kilovolt
KWH	kilowatt hour
KWT	kilowatt
L2	litre per minute GS1 Description: Unit of measure expressed in litre per minute.
LBR	Pound EDIFACT
LD	Litre per day A unit of measure defining the number of litres per day.
LIH	Litre per hour (GS1 Temporary Code) Unit of measure expressed in litre per hour.



**Used Codes**

LNE	Printed line count (GS1 Temporary Code) The indication of the count of printed lines included on a paper communication (e.g. telegram) for invoicing purposes.
LTR	litre GS1 Description: Litre (1 dm <sup>3</sup> )
LUX	lux GS1 Description: Unit of measure of illumination (it corresponds to the illumination of a surface which normally and uniformly receives a light flow of 1 lumen per square meter).
M4	Monetary value A unit of measure expressed as a monetary amount. EDIFACT
MAL	mega litre
MAW	megawatt
MC	microgram One millionth of a gram.
MCU	millicurie GS1 Description: Unit of measure for radioactivity.
MGM	milligram
MHZ	megahertz
MIN	minute
MLT	millilitre
MMK	square millimetre GS1 Description: A unit to measure a surface equal to one millionth of a quadrate.
MMQ	cubic millimetre GS1 Description: A unit of measure expressed in cubic millimetres.
MMT	millimetre
MON	month GS1 Description: The expression of a month as a measure unit.
MPA	megapascal GS1 Description: A unit of measure expressed in Megapascal.
MQH	Cubic metre per hour A unit of measure defining the number of cubic metres per hour.

**Used Codes**

MTA	Micro farad (GS1 Temporary Code) One millionth of a farad. A farad is the capacitance of a capacitor between the plates of which a potential of 1 volt is created by a charge of 1 Coulomb.
MTK	square metre
MTQ	cubic metre
MTR	metre
MTS	Metre per second A unit of speed expressed in metres per second.
MWH	megawatt hour (1000 kW.h)
NAR	number of articles
NEW	newton GS1 Description: The SI unit of force, equal to the force that would give a mass of one kilogram an acceleration of one metre per second.
NIU	number of international units A unit of count defining the number of international units.
NRL	number of rolls
ONZ	ounce GS1 Description: Ounce GB, US (28,349523 g)
OZA	fluid ounce (US) GS1 Description: Fluid ounce US (29,5735 cm <sup>3</sup> )
OZI	fluid ounce (UK) GS1 Description: Fluid ounce UK (28,413 cm <sup>3</sup> )
P1	percent GS1 Description: This code is used to indicate measurements in terms of percentages, e.g. the relative humidity (code RA in data element 6313) is 52%.
PA	packet
PAL	pascal GS1 Description: The SI unit of pressure, equal to one Newton per square metre.
PCE	Piece (GS1 Temporary Code)
PF	pallet (lift) GS1 Description: A number of articles expressed in terms of pallets.
PND	Pound (GS1 Temporary Code)

**Used Codes**

PR	pair GS1 Description: Two articles which belong together but are not necessarily identical.
PTI	pint (UK) GS1 Description: Pint UK (0,568262 dm3)
PTN	Portion (GS1 Temporary Code) The identification of the number of portions (doses in medical terms) into which a complete product may be broken into for serving purposes, e.g. a pie with 6 portions, a liquid medicine with 20 doses.
QAN	quarter (of a year)
QTI	quart (UK) GS1 Description: Quart UK (1,1136523 dm3)
RJH	Decanewton (GS1 Temporary Code) A unit of force equal to 10 Newton.
RPM	revolutions per minute
RTO	Ratio (GS1 Temporary Code)
SEC	second
SMI	Mile (statute mile) A unit of measure expressed in mile
SML	Square metre per litre (GS1 Temporary Code) Unit of measure expressed in square metre per litre.
ST	sheet
TNE	tonne (metric ton) GS1 Description: Metric ton (1000kg)
U2	tablet A unit of count defining the number of tablets (tablet: a small flat or compressed solid object). GS1 Description: Dosage form for pharmaceuticals, pressed or compacted from a powder into a solid dose.
UI	Unit of activity, predefined (GS1 Temporary Code) A measure pertaining to a predefined activity.
VI	vial GS1 Description: Small glass container. E.g. for a liquid medicine or perfume.
VLT	volt
WHR	watt hour

**Used Codes**

WRD	Word (GS1 Temporary Code) The specification of a word as a measurement unit, e.g. 21 words in a telex.
WTT	watt
YDK	Square yard A unit of measure expressed in square yard
YRD	yard GS1 Description: Yard (0,9144 m)
ZE	Milliampere hour (GS1 Temporary Code) A practical unit of quantity of electricity; the quantity that flows in one hour through a conductor carrying a current of 1 Ampere. 1 Ampere-hour is the equivalent to 36000 Coulombs.
ZP	page GS1 Description: The indication of a page as a measurement unit for invoicing purposes, e.g. fax pages.
<b>7065</b>	Package type description code Code specifying the type of package.  Notes: 1. Recommend use UN/ECE Recommendation No. 21 (also, see current volume of UNTDED).
08	Oneway pallet (GS1 Temporary Code) Pallet need not be returned to the point of expedition.
09	Returnable pallet (GS1 Temporary Code) Pallet must be returned to the point of expedition.
200	Pallet ISO 0 - 1/2 EURO Pallet (GS1 Temporary Code) Standard pallet with dimensions 80 X 60 cm.
201	Pallet ISO 1 - 1/1 EURO Pallet (GS1 Temporary Code) Standard pallet with dimensions 80 X 120 cm.
202	Pallet ISO 2 (GS1 Temporary Code) Standard pallet with dimensions 100 X 120 cm.
203	1/4 EURO Pallet (GS1 Temporary Code) Standard pallet with dimensions 60 X 40 cm.
204	1/8 EURO Pallet (GS1 Temporary Code) Standard pallet with dimensions 40 X 30 cm.
205	Synthetic pallet ISO 1 (GS1 Temporary Code) A standard pallet with standard dimensions 80*120cm made of a synthetic material for hygienic reasons.

**Used Codes**

206	Synthetic pallet ISO 2 (GS1 Temporary Code) A standard pallet with standard dimensions 100*120cm made of a synthetic material for hygienic reasons.
210	Wholesaler pallet (GS1 Temporary Code) Pallet provided by the wholesaler.
211	Pallet 80 X 100 cm (GS1 Temporary Code) Pallet with dimensions 80 X 100 cm.
212	Pallet 60 X 100 cm (GS1 Temporary Code) Pallet with dimensions 60 X 100 cm.
5L	Bag, textile GS1 Description: A bag made of textile.
5M	Bag, paper GS1 Description: A bag made of paper.
AE	Aerosol A spray can dispensing paint, furniture polish, etc, under pressure.
AH	Pallet 100cms * 110cms Standard sized pallet of dimensions 100centimeters by 110 centimeters (cms). EDIFACT
AI	Clamshell EDIFACT
APE	Aluminium packed (GS1 Temporary Code) Packaging using thin sheets of aluminium.
AT	Atomizer A device to shoot out a fine spray, e.g. medicine, perfume, etc.
BA	Barrel A wooden or plastic container with slightly bulging sides and flat ends.
BC	Bottlecrate, bottlerack A container for the storage or movement of bottles.
BE	Bundle A number of items grouped loosely together in a package by means of tying.
BG	Bag A non-rigid container made of fabric, paper, plastic, etc, with an opening at the top which can be closed.
BGE	Large bag, pallet sized (GS1 Temporary Code) A non-rigid container made of fabric, paper, plastic, etc, with an opening at the top which can be closed and which is suitable for use on pallets.

**Used Codes**

BJ	Bucket A container with a handle, used for carrying water, mayonnaise, etc.
BL	Bale, compressed A large bundle, as of cotton, hay, straw, etc, which is compressed and bound.
BM	Basin GS1 Description: A deep open container.
BME	Blister pack (GS1 Temporary Code) A transparent strip package of pressable plastic which allows the product to be displayed while remaining protected.
BN	Bale, non-compressed A large bundle, as of cotton, hay, straw, etc, which is not compressed or bound.
BO	Bottle, non-protected, cylindrical A non-protected cylindrical container with a narrow neck made usually of glass or plastic which is especially used for liquids.
BR	Bar An oblong package, usually used for soap.
BRI	Brick (GS1 Temporary Code) A box made of a cardboard, plastic or metal, used for liquids.
BS	Bottle, non-protected, bulbous A non-protected cylindrical container with a bulbous base and a narrow neck made usually of glass or plastic which is especially used for liquids.
BU	Butt A large barrel or cask which is usually used to store or move liquids.
BX	Box A lidded package which can be made of cardboard, wood, plastic, tin, etc.
CA	Can, rectangular A rectangular container which is usually made of metal and has a separate cover.
CBL	Container bottle like (GS1 Temporary Code) A non-protected, non-cylindrical, container with a narrow neck made usually of glass or plastic which is especially used for liquids, e.g. perfume bottle.
CCE	Cardboard carrier (GS1 Temporary Code) A package made of cardboard.
CD	Can, with handle and spout GS1 Description: A can with a handle and spout which allows the lifting and pouring of liquids contained within the can.

**Used Codes**

CG	Cage A cage without wheels.
CM	Card A flat package usually made of fibreboard from/to which the product is often hung or attached. EDIFACT
CMS	Clamshell (GS1 Temporary Code) A package with a base and top that are hinged together. E.g. video cassette case.
CN	Container, not otherwise specified as transport equipment GS1 Description: A receptacle in which something is kept and/or transported.
CR	Crate A packaging case which is usually made of wooden slats.
CS	Case A package such as a box.
CT	Carton A cardboard box or container.
CU	Cup A small bowl shaped container for beverages, often with a handle.
CW	Cage, roll GS1 Description: A three sided cage mounted on wheels.
CX	Can, cylindrical A cylindrical container which is usually made of metal and has a separate cover.
CY	Cylinder A cylindrical container, which is usually made of cardboard and may have a separate cover.
D99	Sleeve A non-rigid container made of paper, cardboard or plastic that is open-ended and is slid over the contents for protection or presentation.
DA	Crate, multiple layer, plastic GS1 Description: Plastic crate which contains multiple layers.
DB	Crate, multiple layer, wooden GS1 Description: Wooden crate which contains multiple layers.
DC	Crate, multiple layer, cardboard
DG	Cage, Commonwealth Handling Equipment Pool (CHEP)
DH	Box, Commonwealth Handling Equipment Pool (CHEP), Eurobox

**Used Codes**

DJ	Demijohn, non-protected A large bulbous container made of glass with a narrow neck, which is especially used with liquids (oil, wine).
DK	Crate, bulk, cardboard
DL	Crate, bulk, plastic
DM	Crate, bulk, wooden
DN	Dispenser
DP	Demijohn, protected A large bulbous protected container made of glass with a narrow neck, which is especially used with liquids (oil, wine).
DPE	Display package (GS1 Temporary Code) A package used for the display of goods, usually during a promotion.
DR	Drum A cylindrical container usually used for the storage and movement of oil.
DS	Tray, one layer no cover, plastic
DT	Tray, one layer no cover, wooden
DU	Tray, one layer no cover, polystyrene
DV	Tray, one layer no cover, cardboard
DW	Tray, two layers no cover, plastic tray
DX	Tray, two layers no cover, wooden
DY	Tray, two layers no cover, cardboard
EC	Bag, plastic
ED	Case, with pallet base
EE	Case, with pallet base, wooden
EF	Case, with pallet base, cardboard
EG	Case, with pallet base, plastic
EH	Case, with pallet base, metal
EI	Case, isothermic
EN	Envelope A non-rigid container, made of paper or plastic, that can be opened with a tear or a cut.
FOB	Folding box (GS1 Temporary Code) Folded cardboard box e.g for products like frozen vegetables, paper clips
FP	Filmpack Packaging using a clear thin plastic.



**Used Codes**

FPE	Foil packed (GS1 Temporary Code) Packaging using a metallic foil.
FT	Foodtainer
GB	Bottle, gas
HA	Basket, with handle, plastic
HB	Basket, with handle, wooden
HC	Basket, with handle, cardboard
HR	Hamper A large basket usually with a cover which is used to store different types of foodstuffs.
IA	Package, display, wooden
IB	Package, display, cardboard
IC	Package, display, plastic
ID	Package, display, metal
IE	Package, show
IF	Package, flow
JC	Jerrican, rectangular A rigid rectangular container with a lid which is usually used for the storage and movement of oil, gasoline, etc.
JG	Jug A container used for storing and pouring the goods.
JR	Jar GS1 Description: A container made of glass, stone, earthenware or plastic with a large opening, which is used to store products, e.g. jams, cosmetics.
JT	Jutebag A bag made of strong fibres.
JY	Jerrican, cylindrical A rigid cylindrical container with a lid which is usually used for the storage and movement of oil, gasoline, etc.
LAB	Labeled package (GS1 Temporary Code) The package is labeled. Usually the label identifies the name, brand or description of the product within the package.
LG	Log
MPE	Multipack (GS1 Temporary Code) A container for the merchandising of multiple units of the same product.
NE	Unpacked or unpackaged A product merchandised or sold without packaging.

**Used Codes**

NU	Net, tube, plastic
NV	Net, tube, textile
OA	Pallet, CHEP 40 cm X 60 cm CHEP standard pallet of dimension 40 centimeters X 60 centimeters.
OB	Pallet, CHEP 80 cm X 120 cm CHEP standard pallet of dimension 80 centimeters X 120 centimeters
OC	Pallet, CHEP 100 cm X 120 cm CHEP standard pallet of dimension 100 centimeters X 120 centimeters
OD	Pallet, AS 4068-1993 Australian standard Pallet of dimensions 115.5 centimeters X 116.5 centimeters
OE	Pallet, ISO T11 ISO standard pallet of dimensions 110 centimeters x110 centimeters, prevalent in Asia – Pacific region.
OF	Platform, unspecified weight or dimension A pallet equivalent shipping platform of unknown dimensions or unknown weight.
OPE	Oxygen packed (GS1 Temporary Code) A package with oxygen added for storage purposes.
PA	Packet Package type used for the smallest trade unit, e.g., a packet of 20 cigarettes, a packet of potato chips.
PAE	Paper (GS1 Temporary Code) An indication that the item(s) is packed in paper.
PB	Pallet, box
PC	Parcel A small wrapped package.
PD	Pallet, modular, collars 80cms * 100cms
PE	Pallet, modular, collars 80cms * 120cms
PG	Plate A smooth flat thin piece of metal, e.g. steel plate.
PJ	Punnet EDIFACT
PK	Package A wrapped or boxed item.

**Used Codes**

PL	Pail GS1 Description: An open-topped container usually made of metal or plastic, generally used to carry liquids.
PLP	Peel pack (GS1 Temporary Code) A package used for sterile products which may be torn open without touching the product inside.
PO	Pouch A small bag or sack.
POP	Cone shaped paper wrapper (GS1 Temporary Code) Cone shaped paper wrapping e.g. for an individually packed ice cream cone.
PPE	Polypropylene bag (GS1 Temporary Code) A bag made from polypropylene.
PU	Tray A board with a ring for carrying small articles.
PUE	Tray packed in plastic (GS1 Temporary Code) A board with a ring packed in plastic carrying for small articles.
PUN	Punnet (GS1 Temporary Code) A small shallow basket usually made of plastic.
PX	Pallet
RB1	A wheeled pallet with raised rim (GS1 Temporary Code). 81 x 67 x 135 cm (length x width x height). A wheeled pallet with raised rim for the storing and transporting of loads. Dimensions: 81 x 67 x 135 cm (length x width x height).
RB2	A Wheeled pallet with raised rim (GS1 Temporary Code). 81 x 72 x 135 cm (length x width x height). A wheeled pallet with raised rim for the storing and transporting of loads. Dimensions: 81 x 72 x 135 cm (length x width x height).
RB3	Wheeled pallet with raised rim. 81 x 60 x 16 cm (length x width x height). (GS1 Temporary Code) A wheeled pallet with raised rim for the storing and transporting of loads. Dimensions: 81 x 60 x 16 cm (length x width x height).
RCB	Two sided cage on wheels with fixing strap (GS1 Temporary Code) 900 x 770 x 1513 cm (length x width x height) A two sided cage mounted on wheels with fixing strap. Dimensions: 900 x 770 x 1513 cm (length x width x height).
RG	Ring A hollow circular band of material wound around itself.
RJ	Rack, clothing hanger

**Used Codes**

RL	Reel A spool on which thread, wire, film, etc, is wound.
RO	Roll A package of goods wound into a ball or cylinder.
SA	Sack A large bag of coarse cloth for storing or moving grain, foodstuffs, etc.
SEC	Article Surveillance (GS1 Temporary Code) Equipped with article surveillance.
SH	Sachet A small sealed envelope.
SL	Slipsheet A firm sheet of plastic, cardboard or other material which may be hooked or attached to a forklift or other transportation equipment. The slipsheet is used to pull products stacked on top of it.
SO	Spool Any cylindrical piece on which something is wound.
SP	Sheet, plastic wrapping EDIFACT
STL	Stick (GS1 Temporary Code) A container for dispensing solid substances, e.g. glue, deodorant.
SW	Shrinkwrapped A transport unit load whose contents are secured together through the use of transparent or semi-transparent filmwrap.
SX	Set
T1	Tablet A loose or unpacked article in the form of a bar, block or piece. EDIFACT
TAE	Tablet (GS1 Temporary Code) A small rectangular package of aluminium foil or paper, e.g. a tablet of chocolate.
TB	Tub A round, open, flat bottomed wooden container.
TEV	Tamper evident package (GS1 Temporary Code) A type of package giving easy or immediate recognition that the package has been tampered with after it has been sealed.
THE	Three pack (GS1 Temporary Code) A package containing three products.
TL	Tub, with lid EDIFACT

**Used Codes**

TRE	Trolley (GS1 Temporary Code) A low cart for the transportation and storage of groceries, milk, etc.
TTE	Tube, standing (GS1 Temporary Code) A screw-topped pliable cylinder capable of standing and suitable for holding pastes or semi-liquids, e.g. a tube of toothpaste.
TU	Tube A screw-topped pliable cylinder suitable for holding pastes or semi-liquids, e.g. a tube of toothpaste.
TV	Tube, with nozzle
TWE	Two pack (GS1 Temporary Code) A package containing two products.
TY	Tank, cylindrical A cylindrical container suitable for the storage or transportation of liquids or gases.
UUE	Tube net (GS1 Temporary Code) A plastic or textile tube suitable for carrying loose products, e.g. fruit.
UVQ	Wrapped in plastic sheet (GS1 Temporary Code) An indication that the items have been wrapped in plastic sheet.
VI	Vial Small (usually glass) container. E.g. for a liquid medicine or perfume.
VP	Vacuumpacked A package from which all air has been removed in order to keep the contents fresh.
WRP	Wrapper (GS1 Temporary Code) Wrapping e.g. for an individually packed ice cream.
X10	Tub with lid (GS1 Temporary Code) A small, usually plastic, container with a lid for food, e.g. ice cream.
X11	Banded package (GS1 Temporary Code) A package with bands, usually metal or nylon, round it to hold the products together.
X12	Cardboard package with grip holes for bottles (GS1 Temporary Code) Cardboard package with a number of holes. Each hole is to be gripped tightly around the neck of a bottle.
X14	Card (GS1 Temporary Code) A flat package usually made of fibreboard from/to which the product is often hung or attached.
X15	Oneway pallet ISO 0 - 1/2 EURO Pallet (GS1 Temporary Code) Oneway pallet with dimensions 80 X 60 cm.

**Used Codes**

X16	Oneway pallet ISO 1 - 1/1 EURO Pallet (GS1 Temporary Code) Oneway pallet with dimensions 80 X 120 cm.
X17	Pallet with exceptional dimensions (GS1 Temporary Code) Pallet with non-standard dimensions.
X18	Parcel with exceptional dimensions (GS1 Temporary Code) Parcel with non-standard dimensions.
X3	Standard stack of stones (GS1 Temporary Code) Standard stack of stones.
X9	Pallet 100 X 110 cm (GS1 Temporary Code) Pallet with dimensions 100 X 110 cm.
<b>7405</b>	Object identification code qualifier Code qualifying the identification of an object.
BJ	Serial shipping container code GS1 Description: A single unique serial number which identifies shipping containers or shipping packages.
<b>8051</b>	Transport stage code qualifier Code qualifying a specific stage of transport.
1	Inland transport Transport by which goods are moved from or to the frontier, or between inland points.
10	Pre-carriage transport Transport by which the goods are moved prior to their main carriage transport.
11	At border Transport by which goods are moved to the Customs frontier.
12	At departure Transport by which goods are moved from the place of departure.
13	At destination Transport by which goods are moved at the place of destination.
20	Main-carriage transport The primary stage in the movement of cargo from the point of origin to the intended destination.
25	Delivery carrier all transport Carrier responsible from the point of origin to the final delivery destination.
30	On-carriage transport Transport by which the goods are moved after the main carriage transport.

**Used Codes**

I	Origin switch carrier (GS1 Temporary Code) Carrier taking responsibility for the goods from the carrier which has transported them from their point of origin.
<b>8053</b>	Equipment type code qualifier Code qualifying a type of equipment.
08	Oneway pallet (GS1 Temporary Code) Pallet need not be returned to the point of expedition.
09	Returnable pallet (GS1 Temporary Code) Pallet must be returned to the point of expedition.
200	Pallet ISO 0 - 1/2 EURO Pallet (GS1 Temporary Code) Standard pallet with dimensions 80 X 60 cm.
201	Pallet ISO 1 - 1/1 EURO Pallet (GS1 Temporary Code) Standard pallet with dimensions 80 X 120 cm.
202	Pallet ISO 2 (GS1 Temporary Code) Standard pallet with dimensions 100 X 120 cm.
203	1/4 EURO Pallet (GS1 Temporary Code) Standard pallet with dimensions 60 X 40 cm.
204	1/8 EURO Pallet (GS1 Temporary Code) Standard pallet with dimensions 40 X 30 cm.
210	Wholesaler pallet (GS1 Temporary Code) Pallet provided by the wholesaler.
211	Pallet 80 X 100 cm (GS1 Temporary Code) Pallet with dimensions 80 X 100 cm.
212	Pallet 60 X 100 cm (GS1 Temporary Code) Pallet with dimensions 60 X 100 cm.
AA	Ground equipment Ground equipment being fuelled or serviced.
AP	Clothing hanger rack Equipment used to store and transport clothing in a hanging position.
BC	Bottlecrate, bottlerack (GS1 Temporary Code) A container for the storage or movement of bottles.
BO	Bottle, non-protected, cylindrical (GS1 Temporary Code) A non-protected cylindrical container with a narrow neck made usually of glass or plastic which is especially used for liquids.
BOX	Box (GS1 Temporary Code) A lidded package which can be made of cardboard, wood, plastic,tin,etc.

**Used Codes**

BPN	Box pallet non exchangeable A box pallet which cannot be exchanged. GS1 Description: A box pallet which cannot be exchanged.
BPZ	Roll Pallet 1 80 X 60 cm pallet on casters.
BX	Boxcar An enclosed railway goods wagon. GS1 Description: An enclosed railway goods wagon.
CH	Chassis A wheeled carriage onto which an ocean container is mounted for inland conveyance.
CHB	CHEP Eurobox (GS1 Temporary Code) A box mounted on a pallet base under the control of CHEP.
CN	Container Equipment item as defined by ISO for transport. It must be of: A) permanent character, strong enough for repeated use; B) designed to facilitate the carriage of goods, by one or more modes of transport, without intermediate reloading; C) fitted with devices for its ready handling, particularly.
CS	Case (GS1 Temporary Code) A package such as a box.
DPB	Roll Pallet 2 120 X 60 cm pallet on casters.
DPE	Display package (GS1 Temporary Code) A package used for the display of goods, usually during a promotion.
EFP	Exchangeable EUR flat pallet Self explanatory. GS1 Description: Self explanatory.
EYP	Exchangeable EUR Y box pallet Self explanatory. GS1 Description: Self explanatory.
FPN	Flat pallet EUR non exchangeable Self explanatory. GS1 Description: Self explanatory.
ICA	Isothermic case (GS1 Temporary Code) A case used for products which require constant temperature control.



**Used Codes**

LU	Load/unload device on equipment A mechanical device used in the loading and/or unloading of cargo into and from transport equipment.
PA	Pallet A platform on which goods can be stacked in order to facilitate the movement by a forklift or sling.
PL	Platform A piece of equipment normally having a flat surface, or prepared for carrying cargo with a specific shape.
PMA	Pallet modular collars 80*100 (GS1 Temporary Code) Collars, with the dimensions 80cms * 100cms, which when fitted onto a pallet enable the pallet to be transformed into a box pallet with, if necessary, a lid.
PMB	Pallet modular collars 80*120 (GS1 Temporary Code) Collars, with the dimensions 80cms * 120cms, which when fitted onto a pallet enable the pallet to be transformed into a box pallet with, if necessary, a lid.
PU	Tray (GS1 Temporary Code) A flat receptacle with low sides for carrying or holding articles.
RCA	Roll cage (GS1 Temporary Code) A three sided cage mounted on wheels.
RG	Reefer generator A generator used to control the temperature in temperature-controlled transport equipment.
RR	Rail car To identify that the equipment is a rail car. GS1 Description: Registered identification number of railway wagon (CIM 19).
SW	Swap body Rectangular equipment unit without wheels, which can be mounted on a chassis or positioned on legs.
TE	Trailer A vehicle without motive power, designed for the carriage of cargo and to be towed by a motor vehicle.
TRE	Trolley (GS1 Temporary Code) A low cart for the transportation and storage of groceries, milk, etc.
UL	ULD (Unit load device) An aircraft container or pallet.

**Used Codes**

---

**8067**

Transport mode name code  
Code specifying the name of a mode of transport.

## Notes:

1. Use UN/ECE Recommendation No 19.

00

This code should be avoided.  
This code should be avoided since the digit "0" conventionally indicates that the related information is not available. It may, however, be used when indication of a mode of transport would be irrelevant, e.g. statistical reporting should not take place (for samples, gifts, personal effects, etc.).

10

Maritime transport  
This code should be used whenever the transport vehicle completes any part of its journey by sea.

20

Rail transport

30

Road transport

40

Air transport

50

Mail

(Actual mode of transport unknown) - This code is provided for practical reasons, despite the fact that mail is not a genuine mode of transport. In many countries, the value of merchandise exported by mail is considerable, but the exporter or importer concerned would be unable to state by which mode postal items had passed the national border.

60

Multimodal transport

This code is used when goods are carried to their destination by at least two different modes on the basis of one transport contract. (Local pick-up and delivery of goods out in the performance of a unimodal transport contract shall not be considered as multimodal transport.)

70

Fixed transport installations

This code applies to installations for continuous transport such as pipelines, ropeways and electric power lines.

80

Inland water transport

This code is used only where carriage is effected entirely by inland water transport.

100

Courier service (GS1 Temporary Code)

A courier service used to collect and deliver a consignment to its destination.

**8179**

Transport means description code  
Code specifying the means of transport.

1

Barge chemical tanker

A barge equipped to transport liquid chemicals.

**Used Codes**

9	Exceptional transport Transport for which common characteristics are not applicable (e.g. big transformers requiring special wagons, special tackles, special routing etc.).
12	Ship tanker A large vessel equipped to transport liquids.
13	Ocean vessel
19	Tip-up truck A truck capable of tipping up in order to deliver its load.
20	Furniture truck A truck used explicitly for the conveyance of furniture.
21	Rail tanker A rail wagon equipped to transport liquids.
22	Rail silo tanker Self explanatory.  Notes: This code value will be removed effective with directory D.04B.
23	Rail bulk car A rail wagon equipped to transport bulk cargo.
25	Rail express Description to be provided.  Notes: This code value will be removed effective with directory D.04B.
26	Tip-up articulated truck An articulated truck capable of tipping up in order to deliver its load.
28	Refrigerated truck and trailer A combined truck and trailer equipped to maintain refrigerated temperatures. GS1 Description: A truck and trailer capable of transporting refrigerated goods.
29	Freezer truck and trailer A combined truck and trailer equipped to maintain freezing temperatures. GS1 Description: A truck and trailer capable of transporting frozen goods.
30	Tautliner 25 tonne, combined with 90 cubic meter trailer with removable roof A truck with non-ridged sides, 25 tonne capacity combined with a 90 cubic meter trailer with removable roof.
31	Truck An automotive vehicle for hauling goods.
32	Road tanker An over-the-road tank truck or trailer.

**Used Codes**

33	Road silo tanker Description to be provided.
	Notes: This code value will be removed effective with directory D.04B.
35	Truck/trailer with tilt A truck and trailer combination with a tilting capability. GS1 Description: A truck/trailer fitted with a tilting mechanism.
40	Truck with opening floor A truck with an opening floor mechanism which is used to discharge the cargo.
41	Freezer truck A truck equipped to maintain freezing temperatures.
42	Isothermic truck A truck equipped to maintain controlled temperatures.
43	Refrigerated truck A truck equipped to maintain refrigerated temperatures. GS1 Description: A truck capable of transporting refrigerated goods.
44	Freezer van A small rigid covered vehicle for conveying frozen goods. GS1 Description: A van capable of transporting frozen goods.
45	Isothermic van A small rigid covered vehicle for conveying temperature controlled goods. GS1 Description: A van capable of transporting temperature controlled goods.
46	Refrigerated van A small rigid covered vehicle for conveying refrigerated goods. GS1 Description: A van capable of transporting refrigerated goods.
47	Bulk truck A truck suitable for transporting bulk goods.
48	Van A small vehicle suitable for carrying small volume loads.
73	Train with more than one and less than 20 wagons A train with more than one and less than 20 wagons used to carry goods.
74	Train with 20 or more wagons A train with 20 or more wagons used to carry goods.
77	Freezer truck and isothermic trailer A combined freezer truck and isothermic trailer.

**Used Codes**

78	Isothermic truck and isothermic trailer A truck and a trailer equipped to maintain controlled temperatures.
79	Refrigerated truck and isothermic trailer A combined refrigerated truck and isothermic trailer.
80	Freezer truck and refrigerated trailer A combined freezer truck and refrigerated trailer.
81	Isothermic truck and refrigerated trailer A combined isothermic truck and refrigerated trailer.
82	Rigid truck with tank and tank trailer A combined rigid truck with tank and tank trailer.
83	Bulk truck and tank trailer A combined truck capable of carrying liquids or bulk goods and a tank trailer.
84	Rigid truck with tank and bulk trailer A combined rigid truck with tank and a trailer capable of carrying liquids or bulk goods.
85	Bulk truck and bulk trailer A combined truck and a trailer both capable of carrying liquids or bulk goods.
86	Tautliner truck and extendable trailer A combined tautliner truck and extendable trailer.
87	Tautliner truck with removable roof and extendable trailer A combined tautliner truck with removable roof and extendable trailer.
88	Truck with opening floor and extendable trailer A combined truck with opening floor and extendable trailer.
89	Bulk truck and extendable trailer A combined truck capable of carrying liquids or bulk goods and an extendable trailer.
90	Isothermic truck and freezer trailer A combined isothermic truck and freezer trailer.
91	Refrigerated truck and freezer trailer A combined refrigerated truck and freezer trailer.
92	Tip-up truck and gondola trailer A combined tip-up truck and gondola trailer. A gondola trailer is a split level trailer suitable for the transport of heavy machinery.
93	Tautliner truck and gondola trailer A combined tautliner truck and gondola trailer. A gondola trailer is a split level trailer suitable for the transport of heavy machinery.

**Used Codes**

94	Tautliner truck with removable roof and gondola trailer A combined tautliner truck with removable roof and gondola trailer. A gondola trailer is a split level trailer suitable for the transport of heavy machinery.
95	Truck with opening floor and gondola trailer A combined truck with opening floor and gondola trailer. A gondola trailer is a split level trailer suitable for the transport of heavy machinery.
96	Bulk truck and gondola trailer A combined truck capable of carrying liquids or bulk goods and a gondola trailer. A gondola trailer is a split level trailer suitable for the transport of heavy machinery.
97	Tip-up truck and extendable gondola trailer A combined tip-up truck with extendable gondola trailer. An extendable gondola trailer is a trailer fitted with a rear axle which can be extended to cater for variable length and is suitable for the transport of heavy machinery.
98	Tautliner truck and extendable gondola trailer A combined tautliner truck and extendable gondola trailer. An extendable gondola trailer is a trailer fitted with a rear axle which can be extended to cater for variable length and is suitable for the transport of heavy machinery.
99	Tautliner truck with removable roof and extendable gondola trailer A combined tautliner truck with removable roof and extendable gondola trailer. An extendable gondola trailer is a trailer fitted with a rear axle which can be extended to cater for variable length and is suitable for the transport of heavy machinery.
100	Truck with opening floor and extendable gondola trailer A combined truck with opening floor and extendable gondola trailer. An extendable gondola trailer is a trailer fitted with a rear axle which can be extended to cater for variable length and is suitable for the transport of heavy machinery.
101	Bulk truck and extendable gondola trailer A combined truck capable of carrying liquids or bulk goods and a extendable gondola trailer. An extendable gondola trailer is a trailer fitted with a rear axle which can be extended to cater for variable length and is suitable for the transport of heavy machinery.
102	Tip-up truck and trailer with opening floor A combined tip-up truck and trailer with opening floor.
103	Tautliner truck and trailer with opening floor A combined tautliner truck and trailer with opening floor.
104	Tautliner truck with removable roof and trailer with opening floor A combined tautliner truck with removable roof and trailer with opening floor.
106	Bulk truck and trailer with opening floor A combined truck capable of carrying liquids or bulk goods and a trailer with opening floor.

**Used Codes**

3138	Armoured vehicle Automotive vehicle designed with fortified body for enhanced protection.
10E	Tautliner 25t (GS1 Temporary Code)
11E	Tautliner 25t with removable roof (GS1 Temporary Code)
12E	Articulated flat lorry 25t (GS1 Temporary Code) An articulated flat lorry capable of carrying loads of 25 tonnes.
13E	Articulated flat lorry 24t with crane 10m (GS1 Temporary Code) An articulated flat lorry with a 10 meter crane capable of carrying loads of 24 tonnes.
14E	Articulated flat lorry 24t with crane 15m (GS1 Temporary Code) An articulated flat lorry with a 15 meter crane capable of carrying loads of 24 tonnes.
15E	Articulated flat lorry 24t with crane 18m (GS1 Temporary Code) An articulated flat lorry with a 18 meter crane capable of carrying loads of 24 tonnes.
16E	Articulated flat lorry 10t (GS1 Temporary Code) An articulated flat lorry capable of carrying loads of 10 tonnes.
17E	Tautliner 25t with trailer 90m3 (GS1 Temporary Code)
18E	Tautliner 25t with trailer 120m3 (GS1 Temporary Code)
19E	Flat lorry with trailer and crane 10m (GS1 Temporary Code) An flat lorry with a trailer and a 10 meter crane.
20E	Articulated lorry with tank (GS1 Temporary Code) An articulated lorry fitted with a tank capable of carrying liquids or bulk goods..
21E	Flat lorry 15t (GS1 Temporary Code) A flat lorry capable of carrying loads of 15 tonnes.
22E	Flat lorry 25t with crane (GS1 Temporary Code) An flat lorry fitted with a crane and capable of carrying loads of 25 tonnes.
27E	Isothermic trailer (GS1 Temporary Code) A trailer capable of transporting temperature controlled goods.
28E	Refrigerated trailer (GS1 Temporary Code) A trailer capable of transporting refrigerated goods.
32E	Trailer (GS1 Temporary Code) A trailer suitable for transporting containerised or palletized goods.
33E	Tank trailer (GS1 Temporary Code) A tank trailer suitable for transporting liquids.
34E	Bulk trailer (GS1 Temporary Code) A trailer suitable for transporting bulk goods.

**Used Codes**

37E	Extendable trailer (GS1 Temporary Code) A trailer fitted with a rear axle which can be extended to cater for variable length loads.
38E	Dolly trailer (GS1 Temporary Code) A trailer composed of a platform mounted on an axle. The trailer is not connected directly to the truck but connected by the load.
39E	Freezer trailer (GS1 Temporary Code) A trailer suitable for transporting frozen goods.
41E	Furniture removal trailer (GS1 Temporary Code) A trailer used explicitly for the removal of furniture.
44E	Gondola trailer (GS1 Temporary Code) A split level trailer suitable for the transport of heavy machinery (e.g. earth movers).
45E	Extendable gondola trailer (GS1 Temporary Code) A trailer fitted with a rear axle which can be extended to cater for variable length loads and is suitable for the transport of heavy machinery (e.g. earth movers).
46E	Rigid lorry with tank (GS1 Temporary Code) A rigid lorry fitted with a tank capable of carrying liquids or bulk goods.
50E	Tautliner rigid truck (GS1 Temporary Code)
51E	Tautliner rigid truck with removable roof (GS1 Temporary Code)
53E	Trailer with opening floor (GS1 Temporary Code) A trailer with an opening floor mechanism which is used to discharge the cargo.
54E	Train with convergent set of wagons (GS1 Temporary Code) A train with wagons coming from different despatch locations which must be grouped in order to form one train.
55E	Train with divergent set of wagons (GS1 Temporary Code) A train with wagons coming from the same despatch location which will be split in different trains because there are more than one point of delivery.
56E	Combination of a truck (length 6 m) and a trailer (length 8 m) (GS1 Temporary Code) Combination of a truck (length 6 m) and a trailer (length 8m) having a combined tonnage of between 23 and 25 tons and a loading capacity of 90m <sup>3</sup> .
57E	Combination of a truck (length 6 m) and a trailer (length 9 m) (GS1 Temporary Code) Combination of a truck (length 6m) and a trailer (length 9m) having a combined tonnage of between 23 and 25 tons and a loading capacity of 100m <sup>3</sup> .



**Used Codes**

58E	Combination of a truck and trailer with a length of 13.6m, a tonnage between 23 and 25 tons (GS1 Temporary Code) Combination of a truck and a trailer with a length of 13.6m, a tonnage between 23 and 25 tons, and a loading capacity of 80 m3.
59E	Rail wagon (GS1 Temporary Code) A single rail wagon used to carry goods.
77E	Furniture truck and trailer (GS1 Temporary Code) A combined truck and trailer capable of carrying furniture.
78E	Tautliner truck and furniture trailer (GS1 Temporary Code) A combined tautliner truck and furniture trailer.
79E	Tautliner truck with removable roof and furniture trailer (GS1 Temporary Code) A combined tautliner truck with removable roof and furniture trailer.
93E	Truck and trailer with opening floor (GS1 Temporary Code) A combined truck and a trailer with an opening floor.
95E	Tautliner truck and dolly trailer (GS1 Temporary Code) A combined tautliner truck and a dolly trailer.
96E	A tautliner truck with removable roof and a dolly trailer (GS1 Temporary Code) A combined tautliner truck with removable roof and a dolly trailer.
97E	Truck with trailer (GS1 Temporary Code) Combined truck and trailer.
98E	Truck with crane for moving goods without trailer (GS1 Temporary Code) A truck with a crane that enables to move goods, without trailer.
99E	Truck with crane for moving goods with trailer (GS1 Temporary Code) A truck with a crane that enables to move goods, with trailer.
X01	Truck with crane for lifting goods without trailer (GS1 Temporary Code) A truck with a crane that enables to lift goods, without trailer.
X02	Truck with crane for lifting goods with trailer (GS1 Temporary Code) A truck with a crane that enables to lift goods, with trailer.
X04	Courier express (GS1 Temporary Code) Use the fastest courier means possible.
X05	Road parcel express (GS1 Temporary Code) Parcel express service by road.
X06	Air freight (GS1 Temporary Code)
X07	Surface air lifting (GS1 Temporary Code)
X08	Air express (GS1 Temporary Code)
X09	Parcel post (GS1 Temporary Code) Postal service for the delivery of parcels.

**Used Codes**

X10	Mail express (GS1 Temporary Code) The express mail service of the postal service.
X11	Surface mail (GS1 Temporary Code) For non air mail international mailing.
X12	Accelerated surface mail (GS1 Temporary Code) Higher priority surface mail.
X13	Air mail (GS1 Temporary Code) Use air mail service.
X14	Printed matter/book post (GS1 Temporary Code) A special mailing service for printed matter or books.
X3	Truck up to 3,5 tons (GS1 Temporary Code) A truck with a total weight up to 3,5 tons.
X4	Miscellaneous transport means (GS1 Temporary Code) Miscellaneous means of transport not further defined.
<b>8211</b>	Hazardous cargo transport authorisation code Code specifying the authorisation for the transportation of hazardous cargo.
N	= No
Y	= Yes
<b>8273</b>	Dangerous goods regulations code Code specifying a dangerous goods regulation.
ADR	European agreement regarding the total carriage of dangerous goods European agreement on the international carriage of dangerous goods on road. ADR is the abbreviation of "Accord europeen relatif au transport international des marchandises dangereuses par route".
<b>8339</b>	Packaging danger level code Code specifying the level of danger for which the packaging must cater.
1	Great danger Packaging meeting criteria to pack hazardous materials with great danger. Group I according to IATA/IMDG/ADR/RID regulations.
2	Medium danger Packaging meeting criteria to pack hazardous materials with medium danger. Group II according to IATA/IDMG/ADR/RID regulations.
3	Minor danger Packaging meeting criteria to pack hazardous materials with minor danger. Group III according to IATA/IDMG/ADR/RID regulations.

## Used Codes

---

4	Not assigned No packaging danger level has been assigned. No packaging danger level assigned. None available to comply with the IATA/ IDMG/ADR/RID regulations.
---	--

## Example

---

UNA:+.?'

The UNA segment contains the default service string characters.

---

UNB+UNOC:3+4012345000009:14:4012345000018+4000004000002:14:4000004000099  
+161013:1043+4711+REF:AA++++EANCOM+1'

The EANCOM file 4711 dated 13.10.2016, 10 h 43 is sent by the issuer identified with GLN 4012345000009 to the receiver identified with GLN 4000004000002.

---

UNH+ME000001+IFCSUM:D:01B:UN:EAN003'

The reference number of the IFCSUM message is ME000001.

---

BGM+781+ISC587421+9'

The document number is ISC587421.

---

DTM+137:20160823:102'

The document date is the 23th of August 2016.

---

FTX+DEL+1+002+Lieferinformation 1:Lieferinformation 2:Lieferinformation  
3:Lieferinformation 4:Lieferinformation 5+DE'

Specification of delivery information.

---

CNT+7:200:KGM'

The total gross weight is 200 kilogram.

---

RFF+GN:HRB-471111'

German Statements on business letters: HRB-471111.

---

TDT+20'

It is the main-carriage transport.

---

NAD+FW+4008451231352::9+X:X:X:X:X'

The freight forwarder's GLN is 4008451231352.

---

NAD+CA+5412345000013::9+X:X:X:X:X+FIRMA B:Herr Klein+Berliner Str. 5+Köl  
n++50835+DE'

The carrier's GLN is 5412345000013.

---

CTA+IC+:Frau Richter'

Contact person is Frau Richter.

---

COM+346752:TE'

Frau Richter's phone number is 346752.

---

EQD+CN+93221'

The loading equipment is a container with the number 93221.

---

SEL+14526'

The seal number connected to the equipment is 93221.

---

CNI+12+AVV23441'

The consignment reference number is AVV23441.

---

RFF+DQ:3546'

The message references to delivery note number 3546.

---

TDT+20++30+31++++::K-LM-1234'

The truck license plate is K-LM-1234.

---

DTM+2:20160622:102'

The document date is the 22th of June 2016.

---

NAD+DP+4399899175941::9++FIRMA B:HERR KLOSE:X+KREUTZSTRASSE 14+HAMBURG++

## Example

---

22297+DE'

The delivery party has the GLN 4399899175941.

---

LOC+7+5412345695219::9'

The GLN of the place of unloading is 5412345695219.

---

CTA+IC+:Frau Richter'

Contact person is Frau Richter.

---

COM+346752:TE'

Frau Richter's phone number is 346752.

---

GID+1+10:201::9'

10 pallets are transported.

---

PCI+33E'

The shipment item contains a SSCC.

---

GIN+BJ+354123450000000014'

The SSCC is 340123450000000014

---

DGS+ADR+4.1:F1+1456+:CEL+2+++25+46:1868+4.1:6.1+++N'

The dangerous goods have the classification 4.1.

---

FTX+AAD+1+ABG::91+Decaboran+DE'

The dangerous goods are Decaboran.

---

FTX+HAZ+1++Ethanol+DE'

The dangerous goods are transported with the hazard causing material Ethanol.

---

FTX+SAF+1+Y::246'

The dangerous goods are classified as environmentally hazardous.

---

FTX+SIN+1+LQ+:::X+DE'

The dangerous goods belong to the LQ dangerous goods.

---

FTX+PAC+1++4G:Kiste aus Pappe:5+DE'

The dangerous goods are placed in 5 boxes of cardboard (code: 4G).

---

FTX+AAC+1++1+DE'

The dangerous goods belong to transport category 1.

---

FTX+ACB+1+1B2+B1000C'

The dangerous goods are transported has the tunnel code B1000C.

---

FTX+OSI+1+1B2+Aluminium-Fass mit abnehmbarem Deckel+DE'

The dangerous goods are transported in an aluminum drum with a removable cover.

---

MEA+AAE+AAL+KGM:100'

Das Gefahrgut wiegt 100 Kilogramm.

The dangerous goods weight is 100 kilogram.

---

EQD+EFP+1234'

The loading aid is a replaceable EUR-flat pallet with the loading vessel ID 1234.

---

EQN+9'

Es werden neun Ladehilfsmittel transportiert.

Nine loading aids are transported.

---

UNT+37+ME000001'

The message contains 37 segments.

---

UNZ+1+4711'

**Example**

---

The transmission file contains 1 message.

---